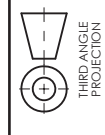
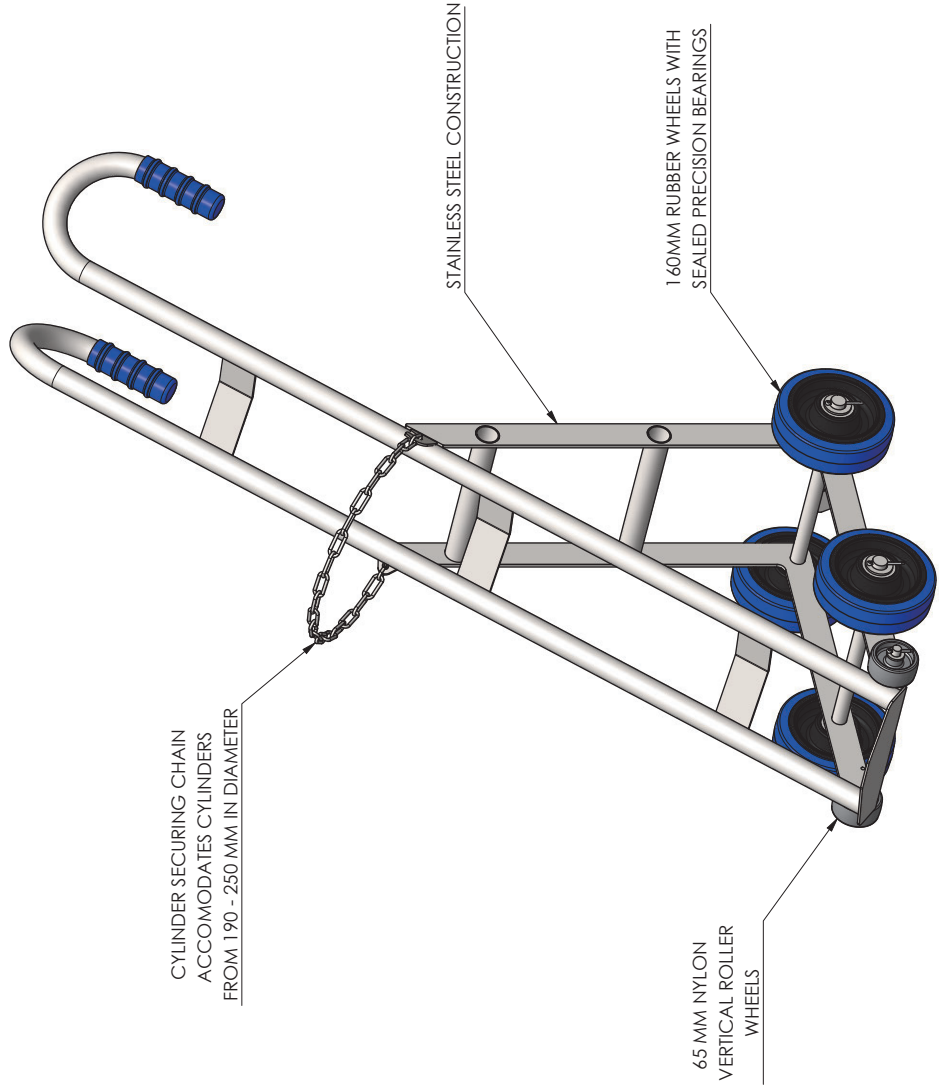


# CTS01

## SWL - 150kg



THIRD ANGLE PROJECTION

ALL DIMENSIONS IN mm U.O.S

DO NOT SCALE



BESPOKE HANDLING EQUIPMENT LTD  
LEEDSTOWN, CORMWALL TR27 6DS  
LEEDS, WEST YORKSHIRE, LEEDS, UK  
E-MAIL: SALES@STS-TROLLEYS.CO.UK  
WWW: HTTPS://WWW.STS-TROLLEYS.CO.UK

UNLESS OTHERWISE SPECIFIED THE FOLLOWING APPLY:  
FABRICATED COMPONENTS DIMENSIONAL PRECISION  
DECIMAL METRIC ANGLES  
0.0 0.05° SIZE ≤ 1000MM  
0.1 0.10° SIZE ≤ 1000MM  
0.2 0.20° SIZE ≤ 1000MM  
0.0 0.05° SIZE > 1000MM  
0.1 0.10° SIZE > 1000MM  
0.2 0.20° SIZE > 1000MM  
STANDARD SURFACE FINISH RA 63MM (RA 250MIN)  
BREAK ALL SHARP CORNERS AND EDGES R0.5mm MAX

THIS DOCUMENT AND ALL THE INFORMATION CONTAINED HEREIN ARE CONFIDENTIAL AND EXCLUSIVE PROPERTY OF STS BESPOKE HANDLING EQUIPMENT AND MAY NOT BE REPRODUCED, USED, DISCLOSED OR WAIVER FABRIC IN ANY MANNER PRIOR TO EXPRESS WRITTEN AUTHORIZATION BY STS BESPOKE HANDLING EQUIPMENT.  
THIS DOCUMENT IS THE PROPERTY OF STS BESPOKE HANDLING EQUIPMENT AND MUST BE RETURNED TO THE MANUFACTURER IMMEDIATELY UPON DEMAND.  
MANUFACTURER AGREES THAT ARTICLES MADE IN ACCORDANCE WITH THIS DOCUMENT SHALL BE CONSIDERED STS BESPOKE HANDLING EQUIPMENT AND MAY NOT BE REPRODUCED, USED, DISCLOSED OR WAIVER FABRIC IN ANY MANNER PRIOR TO EXPRESS WRITTEN AUTHORIZATION BY STS BESPOKE HANDLING EQUIPMENT.

CATEGORY: ASSEMBLY

MATERIAL SPEC:

FINISH: N/A

DESCRIPTION: CYLINDER TROLLEY, CTS01, ASSEMBLY

SHEET NO: 1 OF 3

EST MASS: 13.95kg

SHEET SIZE: A4

PART NUMBER: 012555

DRAWN BY: GB

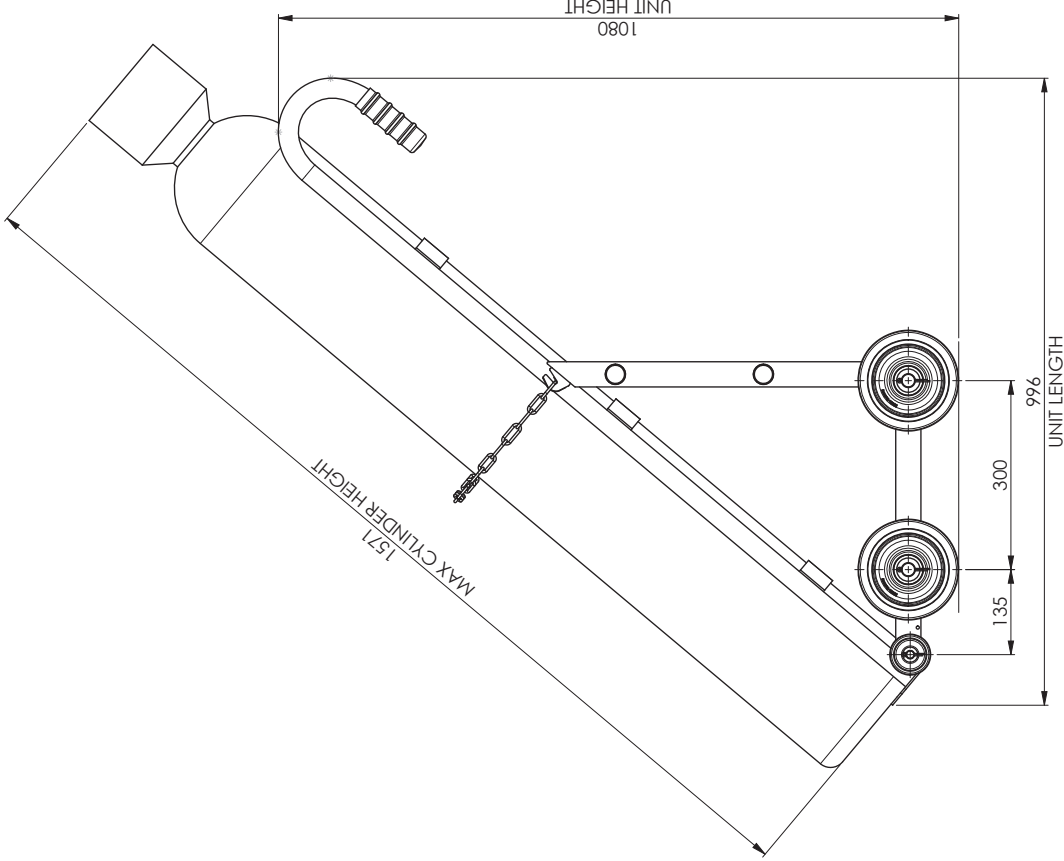
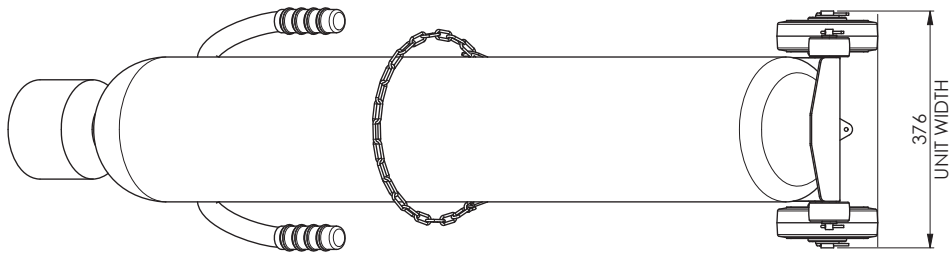
CHECKED BY: JC

DATE CHK: 14/02/2020

REVISION: C

# CTS01

## SWL - 150kg



ALL DIMENSIONS  
IN mm U.O.S

DO NOT SCALE



UNLESS OTHERWISE SPECIFIED THE FOLLOWING APPLY:  
FABRICATED COMPONENTS DIMENSIONAL PRECISION  
DECIMAL METRIC IMPERIAL ANGLE  
0.00mm ±0.03mm ±0.25° ±0.03° ±0.25°  
0.00mm ±0.03mm ±0.10° ±0.50°  
0.00mm ±1.5mm ±0.06° ±0.25°  
STANDARD SURFACE FINISH RA 63MM (RA 250MIN)  
BREAK ALL SHARP CORNERS AND EDGES, R0.5mm MAX

THIS DOCUMENT AND ALL THE INFORMATION CONTAINED HEREIN ARE CONFIDENTIAL AND EXCLUSIVE PROPERTY OF STS BESPOKE HANDLING EQUIPMENT AND MAY NOT BE REPRODUCED, USED, DISCLOSED OR WAIVER PUBLIC IN ANY MANNER PRIOR TO EXPRESS WRITTEN AUTHORIZATION BY STS BESPOKE HANDLING EQUIPMENT.  
THIS DOCUMENT IS THE PROPERTY OF STS BESPOKE HANDLING EQUIPMENT AND MUST BE RETURNED TO STS BESPOKE HANDLING EQUIPMENT UPON DEMAND.  
MANUFACTURER AGREES THAT ARTICLES MADE IN ACCORDANCE WITH THIS DOCUMENT SHALL BE CONSIDERED STS BESPOKE HANDLING EQUIPMENT AND MAY NOT BE REPRODUCED, USED, DISCLOSED OR WAIVER PUBLIC IN ANY MANNER PRIOR TO EXPRESS WRITTEN AUTHORIZATION BY STS BESPOKE HANDLING EQUIPMENT.

CATEGORY: ASSEMBLY

MATERIAL SPEC:

FINISH: N/A

DESCRIPTION: CYLINDER TROLLEY, CTS01, ASSEMBLY

SHEET NO: 2 OF 3

EST MASS: 13.95kg

SHEET SIZE: A4

PART NUMBER: 012555

DRAWN BY: GB

CHECKED BY: JC

DATE CHK: 14/02/2020

REVISION: C