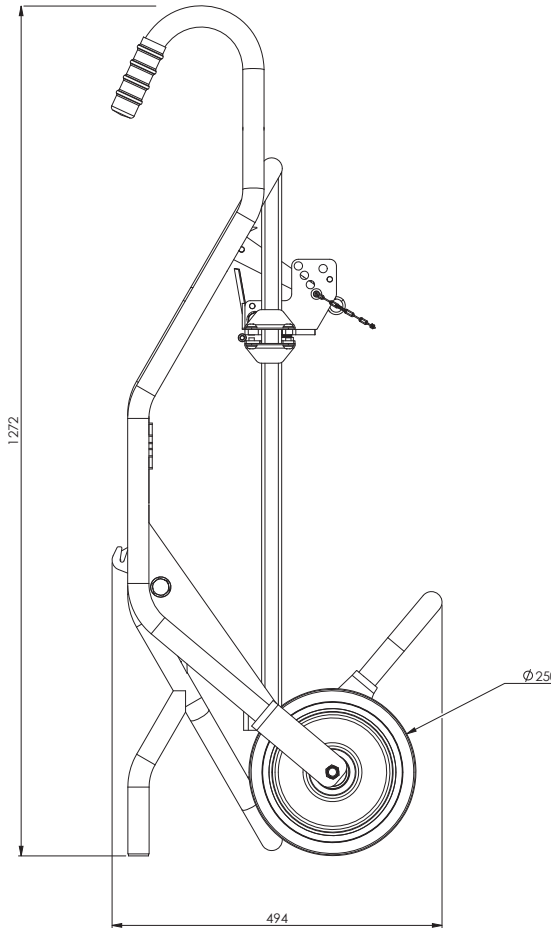
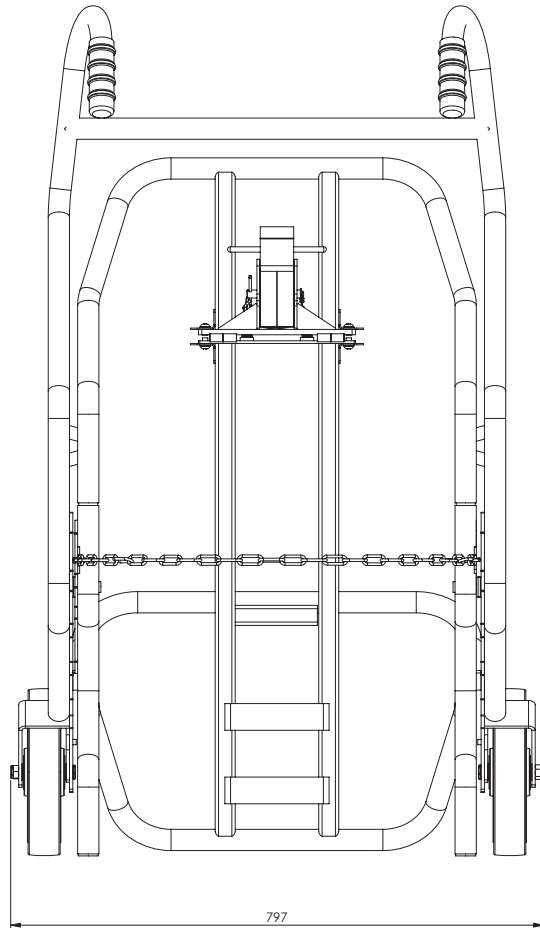




SWL: 350 KG
 UNLADEN WEIGHT: 28 KG
 MAX DRUM DIAMETER: 600 mm
 MIN DRUM DIAMETER: 350 mm
 MAX DRUM HEIGHT: 1000 mm
 MIN DRUM HEIGHT: 500 mm
 MAX LIFT : 70 mm

DTC01

SWL - 350kg




THIRD ANGLE PROJECTION
DO NOT SCALE

RESPICE HANDLANCE EQUIPMENT LTD
 LEEDSTOWN, CORNWALL, T22 6DS
 TEL: +44 1736 85 10 50 FAX: +44 1736 85 10 23
 E-MAIL: SALES@STS-TROLLEYS.CO.UK
 WWW: HTTPS://WWW.STS-TROLLEYS.CO.UK

ALL DIMENSIONS IN mm U.O.S.
 UNLESS OTHERWISE SPECIFIED THE FOLLOWING APPLY:
 FABRICATED COMPONENTS DIMENSIONAL PRECISION

DECIMAL	METRIC	IMPERIAL	ANGLE	SIZE
0.1	±0.20mm	±0.05"	±0.50°	SIZE ≤ 1000MM
0.0	±0.80mm	±0.03"	±0.25°	SIZE ≤ 1000MM
0.0	±2.5mm	±0.10"	±0.50°	SIZE > 1000MM
0.0	±1.50mm	±0.06"	±0.25°	SIZE > 1000MM

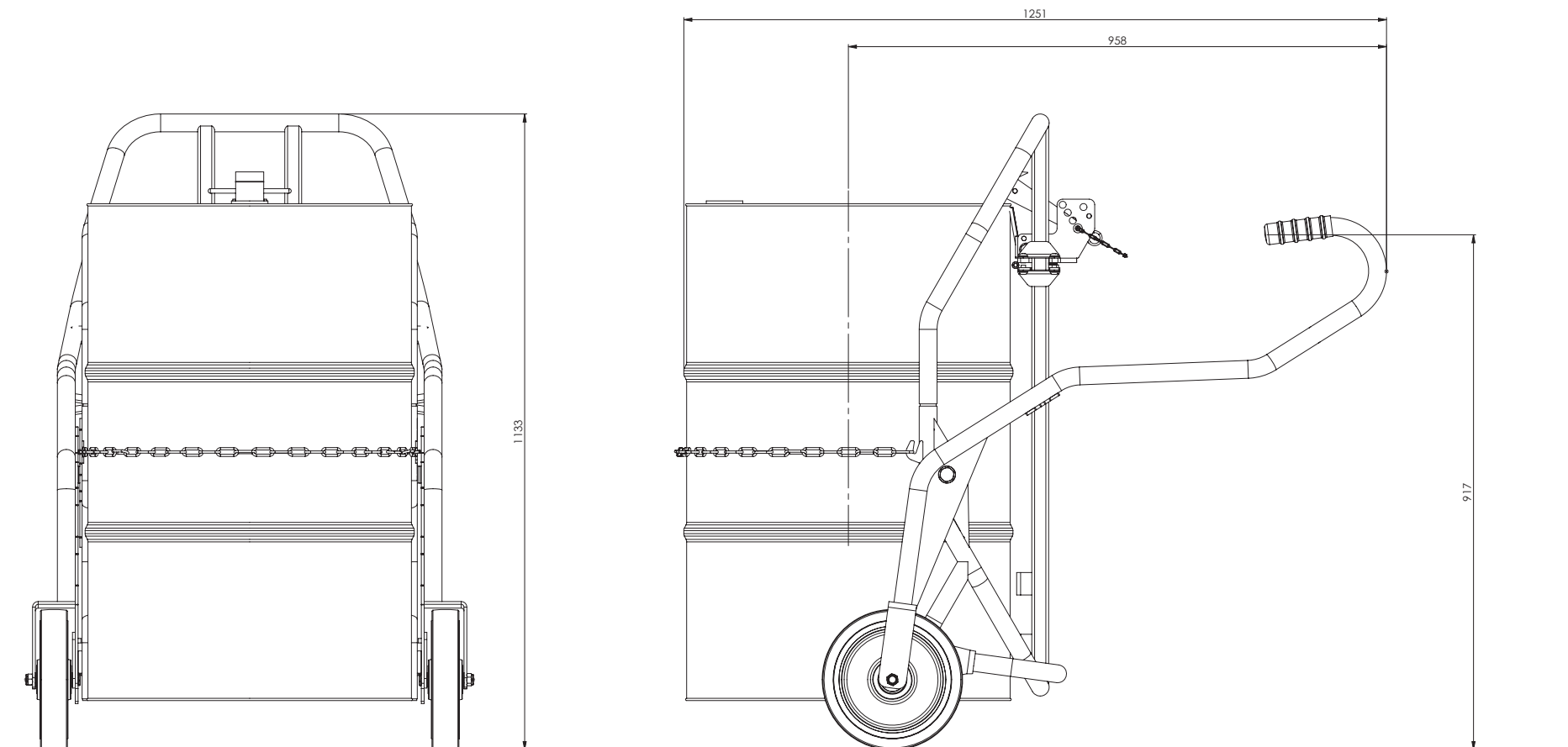
 STANDARD SURFACE FINISH RA 6.3MM (RA 250SMIN)
 BREAK ALL SHARP CORNERS AND EDGES: R 0.20mm MAX

CATEGORY:	ASSEMBLY
MATERIAL SPEC:	
FINISH:	N/A
DESCRIPTION:	UNIVERSAL DRUM TROLLEY, 350KG SWL, DTC01



SHEET NO:	1 OF 3	DRAWN BY:	AJ
EST MASS:	27.74kg	CHECKED BY:	JS
SHEET SIZE:	A3	DATE CHK:	21/08/2019
PART NUMBER:	012590	REVISION:	B

DTC01

SWL - 350kg



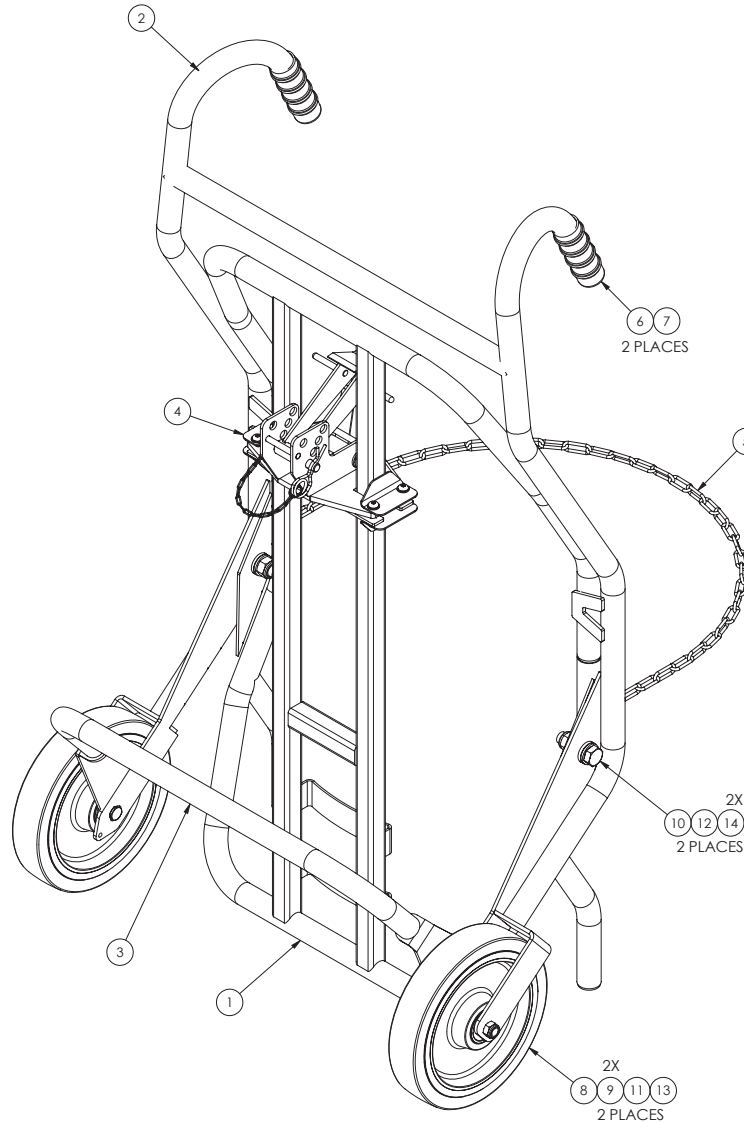
STANDARD 205L DRUM SHOWN

 THIRD ANGLE PROJECTION	ALL DIMENSIONS IN mm U.O.S DO NOT SCALE	UNLESS OTHERWISE SPECIFIED THE FOLLOWING APPLY: FABRICATED COMPONENTS (DIMENSIONAL PRECISION) DECIMAL METRIC IMPERIAL ANGLE 0.1 ±0.20mm ±0.03° ±0.50° 0.0 ±0.80mm ±0.03° ±0.25° 0.0 ±2.5mm ±0.10° ±0.50° 0.0 ±1.50mm ±0.04° ±0.25° STANDARD SURFACE FINISH RA 6.3MM (RA 250MIC) BREAK ALL SHARP CORNERS AND EDGES: R 0.20MM MAX	CATEGORY: ASSEMBLY MATERIAL SPEC: FINISH: N/A DESCRIPTION: UNIVERSAL DRUM TROLLEY, 350KG SWL, DTC01	SHEET NO: 2 OF 3 EST MASS: 27.74kg SHEET SIZE: A3 PART NUMBER: 012590	DRAWN BY: AJ CHECKED BY: JS DATE CHK: 21/08/2019 REVISION: B
	 RESPICE HANDLING EQUIPMENT LTD LEEDSTOWN, CORNWALL, TQ27 6DS TEL: +44 1736 85 10 50 FAX: +44 1736 85 10 23 E-MAIL: SALES@STS-TROLLEYS.CO.UK WWW: HTTPS://WWW.STS-TROLLEYS.CO.UK	<small>THIS DOCUMENT AND ALL THE INFORMATION CONTAINED HEREIN ARE CONFIDENTIAL AND EXCLUSIVE PROPERTY OF RESPICE HANDLING EQUIPMENT AND MAY NOT BE REPRODUCED, USED, DISCLOSED OR MADE PUBLIC IN ANY MANNER WITHOUT WRITTEN AUTHORIZATION BY RESPICE HANDLING EQUIPMENT. THIS DOCUMENT IS ACCEPTED PURSUANT TO AGREEMENT TO THE FOREGOING, AND MUST BE RETURNED OR DESTROYED UPON DEMAND. MANUFACTURER AGREES THAT ARTICLES MADE IN ACCORDANCE WITH THIS DOCUMENT SHALL BE CONSIDERED ITS PROPERTY UNLESS OTHERWISE SPECIFIED AND THAT ORIGINAL ARTICLES OR PARTS THEREOF SHALL NOT BE MANUFACTURED FOR THE USE OR SALE BY THE MANUFACTURER OR ANY OTHER PERSON OR ENTITY WITHOUT PRIOR WRITTEN AUTHORIZATION BY RESPICE HANDLING EQUIPMENT.</small>			
			REVISION: 01 AUTHOR: JC AUTHORISER: NV		PRINTED ON: 18/12/2019

ITEM	STS PART	DESCRIPTION	QTY
1	003040	BACK FRAME F/DTC01, WELDMENT, STAINLESS STEEL	1
2	003052	HANDLE FRAME F/ DTC01, WELDMENT, AISI 304	1
3	003038	FOOTBAR, F/ DTC01, STAINLESS STEEL	1
4	003035	DRUM CATCH ASSEMBLY, STAINLESS STEEL	1
5	013480	CHAIN WITH DEE SHACKLE - 4MM - 36 LINKS	1
6	001286	BLUE GRIP HANDLE, REF. RUNFOLD PLASTICS, CPG10/4.375	2
7	002784	Ø1 1/4 INCH PLASTIC END PLUG	2
8	002225	WHEEL - Ø250 - TW50 - HW60 - Ø20 - RUBBER/PU - 500KG	2
9	003069	WHEEL BUSH, 20MM OD, 12.2MM ID, 22MM LONG, BLACK PLASTIC	4
10	001072-102	HEX BOLT, M16 X 55, A2	2
11	001423-012	NYLOC NUT, M12, A2	2
12	001423-016	NYLOC NUT, M16, A2	2
13	003067	AXEL BOLT - M12 X 92MM	2
14	001117-033	WASHER, F/ M16, A2	4

DTC01

SWL - 350kg



ZONE	REV.	ECN	DESCRIPTION	DATE	APPROVED
B	-	-	CHANGED ASSEMBLY	18/12/2019	JS

REVISIONS	
SHEET NO:	3 OF 3
EST MASS:	27.74kg
SHEET SIZE:	A3
PART NUMBER:	012590
DRAWN BY:	AJ
CHECKED BY:	JS
DATE CHK:	21/08/2019
REVISION:	B

<p>THIRD ANGLE PROJECTION</p>	<p>ALL DIMENSIONS IN mm U.O.S</p> <p>DO NOT SCALE</p>	<p>UNLESS OTHERWISE SPECIFIED THE FOLLOWING APPLY:</p> <p>FABRICATED COMPONENTS DIMENSIONAL PRECISION:</p> <table border="1"> <thead> <tr> <th>DECIMAL</th> <th>METRIC</th> <th>IMPERIAL</th> <th>ANGLE</th> <th>SIZE</th> </tr> </thead> <tbody> <tr> <td>0.1</td> <td>±0.20mm</td> <td>±0.005"</td> <td>±0.50°</td> <td>SIZE ≤ 1000MM</td> </tr> <tr> <td>0.0</td> <td>±0.80mm</td> <td>±0.03"</td> <td>±0.25°</td> <td>SIZE ≤ 1000MM</td> </tr> <tr> <td>0.0</td> <td>±2.5mm</td> <td>±0.10"</td> <td>±0.50°</td> <td>SIZE > 1000MM</td> </tr> <tr> <td>0.0</td> <td>±1.5mm</td> <td>±0.06"</td> <td>±0.25°</td> <td>SIZE > 1000MM</td> </tr> </tbody> </table> <p>STANDARD SURFACE FINISH RA 6.3MM (RA 250UMIN)</p> <p>BREAK ALL SHARP CORNERS AND EDGES: R 0.20MM MAX</p>	DECIMAL	METRIC	IMPERIAL	ANGLE	SIZE	0.1	±0.20mm	±0.005"	±0.50°	SIZE ≤ 1000MM	0.0	±0.80mm	±0.03"	±0.25°	SIZE ≤ 1000MM	0.0	±2.5mm	±0.10"	±0.50°	SIZE > 1000MM	0.0	±1.5mm	±0.06"	±0.25°	SIZE > 1000MM
	DECIMAL	METRIC	IMPERIAL	ANGLE	SIZE																						
0.1	±0.20mm	±0.005"	±0.50°	SIZE ≤ 1000MM																							
0.0	±0.80mm	±0.03"	±0.25°	SIZE ≤ 1000MM																							
0.0	±2.5mm	±0.10"	±0.50°	SIZE > 1000MM																							
0.0	±1.5mm	±0.06"	±0.25°	SIZE > 1000MM																							
<p>RESPICE HANDLING EQUIPMENT LTD LEEDSTOWN, CORNWALL, T22 6DS TEL: +44 1736 85 10 50 FAX: +44 1736 85 10 23 E-MAIL: SALES@STS-TROLLEYS.CO.UK WWW: HTTPS://WWW.STS-TROLLEYS.CO.UK</p>	<p>THIS DOCUMENT AND ALL THE INFORMATION CONTAINED HEREIN ARE CONFIDENTIAL AND EXCLUSIVE PROPERTY OF RESPICE HANDLING EQUIPMENT AND MAY NOT BE REPRODUCED, USED, DISCLOSED OR MADE PUBLIC IN ANY MANNER PRIOR TO EXPRESS WRITTEN AUTHORIZATION BY RESPICE HANDLING EQUIPMENT.</p> <p>THIS DOCUMENT IS ACCEPTED PURSUANT TO AGREEMENT TO THE FOREGOING, AND MAY BE RETURNED OR DESTROYED UPON DEMAND.</p> <p>MANUFACTURER AGREES THAT ARTICLES MADE IN ACCORDANCE WITH THIS DOCUMENT SHALL BE CONSIDERED RESPICE HANDLING EQUIPMENT DESIGN AND THAT ORIGINAL ARTICLES OR PARTS THEREOF SHALL NOT BE MANUFACTURED FOR THE USE OR SALE BY THE MANUFACTURER OR ANY OTHER PERSON OR ENTITY WITHOUT PRIOR EXPRESS WRITTEN AUTHORIZATION BY RESPICE HANDLING EQUIPMENT.</p>																										

CATEGORY:	ASSEMBLY
MATERIAL SPEC:	
FINISH:	N/A
DESCRIPTION:	UNIVERSAL DRUM TROLLEY, 350KG SWL, DTC01