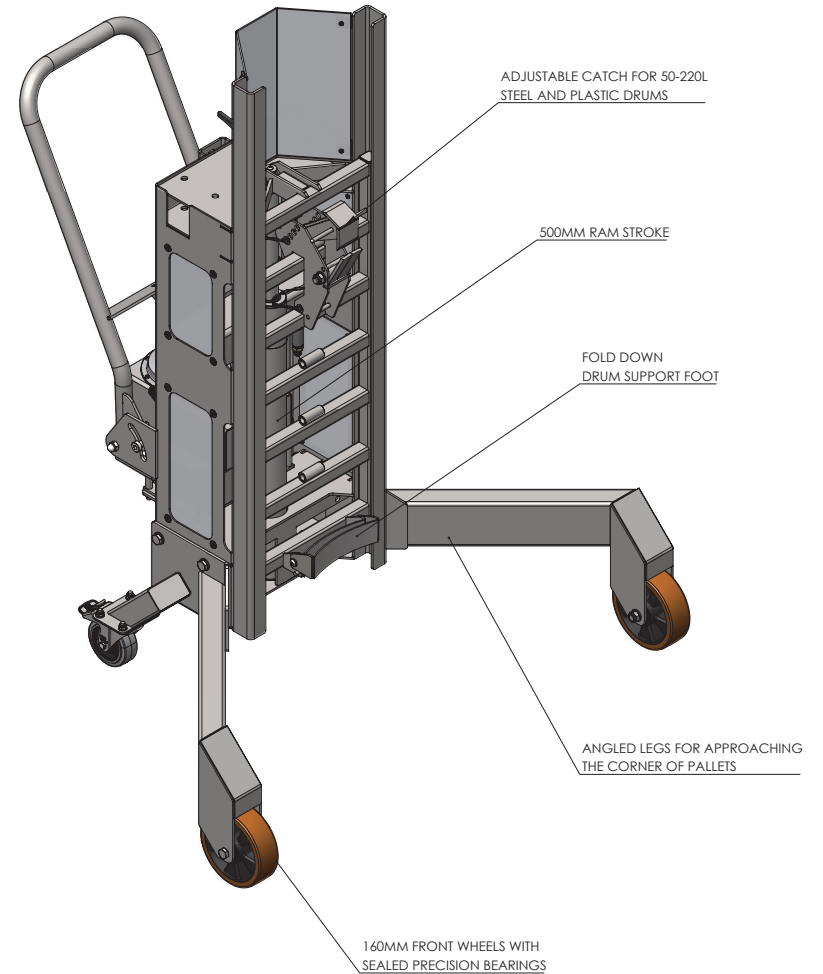
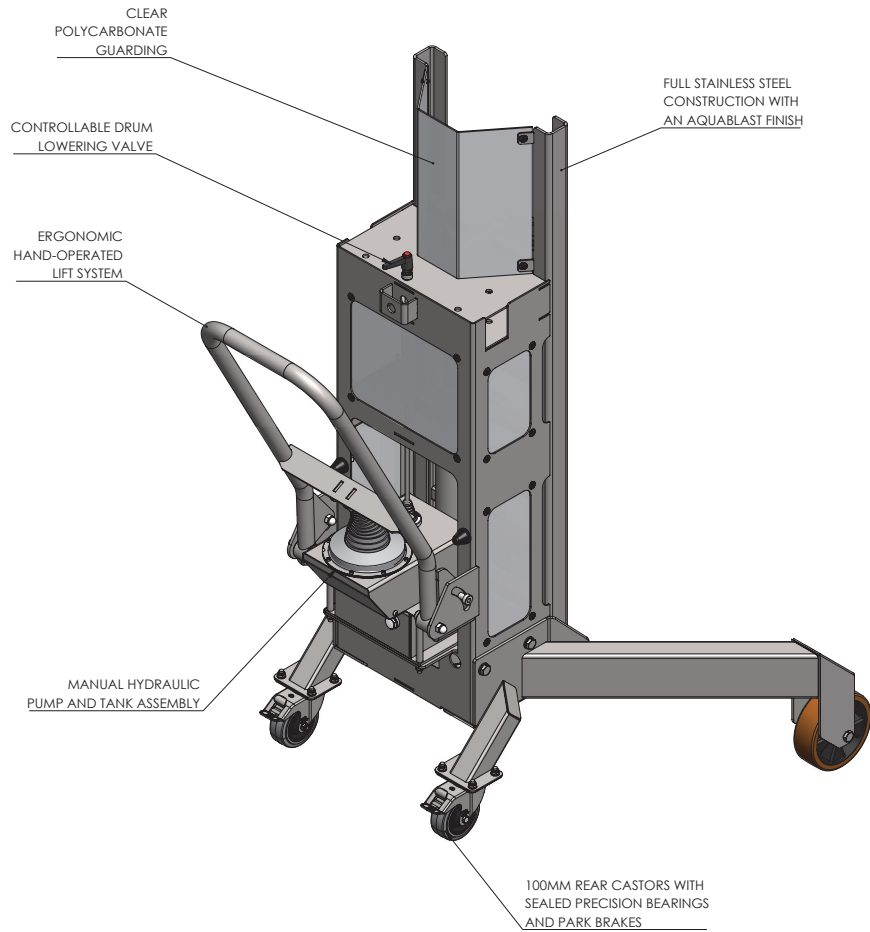




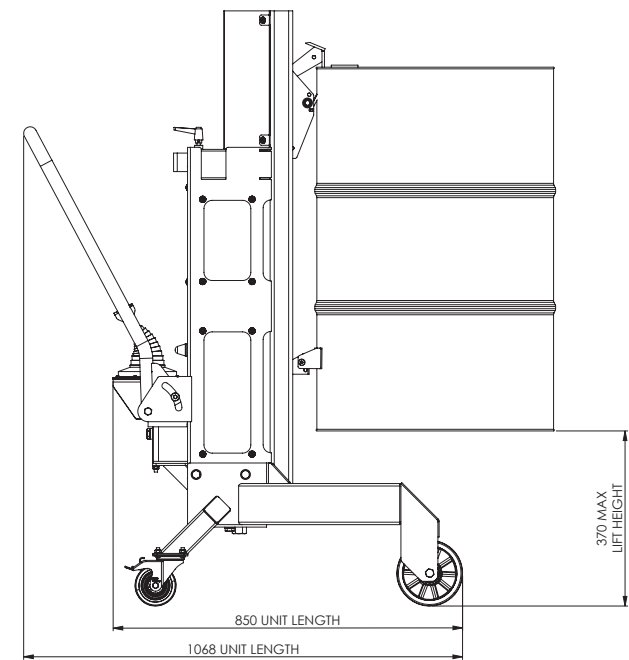
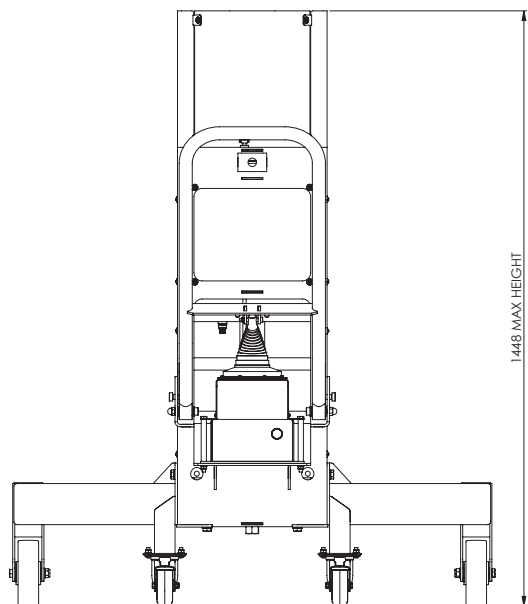
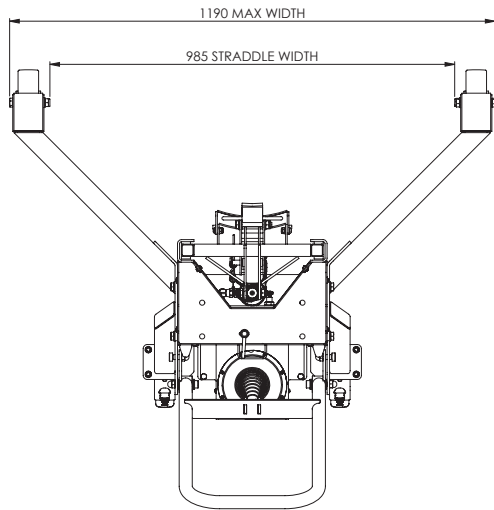
DTP05-R500-SS


SWL - 350kg



Drum Range: 50L - 220L
Minimum Lift Clearance: 370mm

 THIRD ANGLE PROJECTION	ALL DIMENSIONS IN mm U.O.S	CUSTOMER APPROVAL:	CATEGORY: ASSEMBLY	SHEET NO: 1 OF 3	DRAWN BY: JC
	DO NOT SCALE	NAME:	MATERIAL SPEC:	EST MASS: 100.11kg	CHECKED BY: JC
 RESPONCE HANDLING EQUIPMENT LTD LEEDSTOWN, CORNWALL, TQ27 4DS TEL: +44 1738 85 10 50 FAX: +44 1738 85 10 23 E-MAIL: SALES@STS-TROLLEYS.CO.UK WWW: HTTPS://WWW.STS-TROLLEYS.CO.UK	DATE:	FINISH: N/A	SHEET SIZE: A3	DATE CHK: 23/01/2019	REVISION: A
	<small>THIS DOCUMENT AND ALL THE INFORMATION CONTAINED HEREIN ARE CONFIDENTIAL AND EXCLUSIVE PROPERTY OF STS RESPONCE HANDLING EQUIPMENT LTD AND MAY NOT BE REPRODUCED, USED, DISCLOSED OR ANYWISE PUBLIC IN ANY MANNER PRIOR TO EXPRESS WRITTEN AUTHORIZATION BY STS RESPONCE HANDLING EQUIPMENT.</small> <small>THIS DOCUMENT IS ACCEPTED PURSUANT TO AGREEMENT TO THE FOREGOING, AND MUST BE RETURNED OR DESTROYED UPON DEMAND.</small> <small>MANUFACTURER AGREES THAT ARTICLES MADE IN ACCORDANCE WITH THIS DOCUMENT SHALL BE CONSIDERED STS RESPONCE HANDLING EQUIPMENT DESIGN AND THAT GENERAL SPECIFICATIONS OR PARTS THEREOF SHALL NOT BE MANUFACTURED FOR THE USE OR SALE BY THE MANUFACTURER OF ANY OTHER PERSON OR ENTITY WITHOUT PRIOR EXPRESS WRITTEN AUTHORIZATION BY STS RESPONCE HANDLING EQUIPMENT.</small>	DESCRIPTION: DTP05-R500-SS, DEPALLETER ASSEMBLY, 500MM RAM, STAINLESS STEEL	PART NUMBER: 013804		




ALL DIMENSIONS IN mm U.O.S
DO NOT SCALE


RESPONSE HANDLING EQUIPMENT LTD
 LEEDSTOWN, CORNWALL, TR27 4DS
 TEL: +44 1738 85 10 50 FAX: +44 1738 85 10 23
 E-MAIL: SALES@STS-TROLLEYS.CO.UK
 WWW: [HTTPS://WWW.STS-TROLLEYS.CO.UK](https://www.sts-trolleys.co.uk)

UNLESS OTHERWISE SPECIFIED THE FOLLOWING APPLY:
 FABRICATED COMPONENTS DIMENSIONAL PRECISION
 DECIMAL METRIC IMPERIAL ANGLE
 0.1 ±0.20mm ±0.05° ±0.50° SIZE ≤ 1000MM
 0.0 ±0.80mm ±0.03° ±0.25° SIZE ≤ 1000MM
 0. ±2.00mm ±0.10° ±0.50° SIZE > 1000MM
 0.0 ±1.50mm ±0.06° ±0.25° SIZE > 1000MM
 STANDARD SURFACE FINISH RA 6.3MM (RA 250MIN)
 BREAK ALL SHARP CORNERS AND EDGES: R 0.50MM MAX

THIS DOCUMENT AND ALL THE INFORMATION CONTAINED HEREIN ARE CONFIDENTIAL AND EXCLUSIVE PROPERTY OF STS RESPONSE HANDLING EQUIPMENT LIMITED. IT IS TO BE USED ONLY FOR THE EQUIPMENT SPECIFICALLY IDENTIFIED HEREIN. THIS DOCUMENT IS ACCEPTED PURSUANT TO AGREEMENT TO THE FOREGOING, AND MUST BE RETURNED OR DESTROYED UPON DEMAND.
 MANUFACTURER AGREES THAT ARTICLES MADE IN ACCORDANCE WITH THIS DOCUMENT SHALL BE CONSIDERED STS RESPONSE HANDLING EQUIPMENT DESIGN AND THAT ORIGINAL ARTICLES OR PARTS THEREOF SHALL NOT BE MANUFACTURED FOR THE USE OR SALE BY THE MANUFACTURER OF ANY OTHER PERSON OR ENTITY WITHOUT PRIOR EXPRESS WRITTEN AUTHORIZATION BY STS RESPONSE HANDLING EQUIPMENT.

CATEGORY:	ASSEMBLY
MATERIAL SPEC:	
FINISH:	N/A
DESCRIPTION:	DTP05-R500-SS, DEPALLETISER ASSEMBLY, 500MM RAM, STAINLESS STEEL

SHEET NO:	2 OF 3	DRAWN BY:	JC
EST MASS:	100.11kg	CHECKED BY:	JC
SHEET SIZE:	A3	DATE CHK:	23/01/2019
PART NUMBER:	013804	REVISION:	A