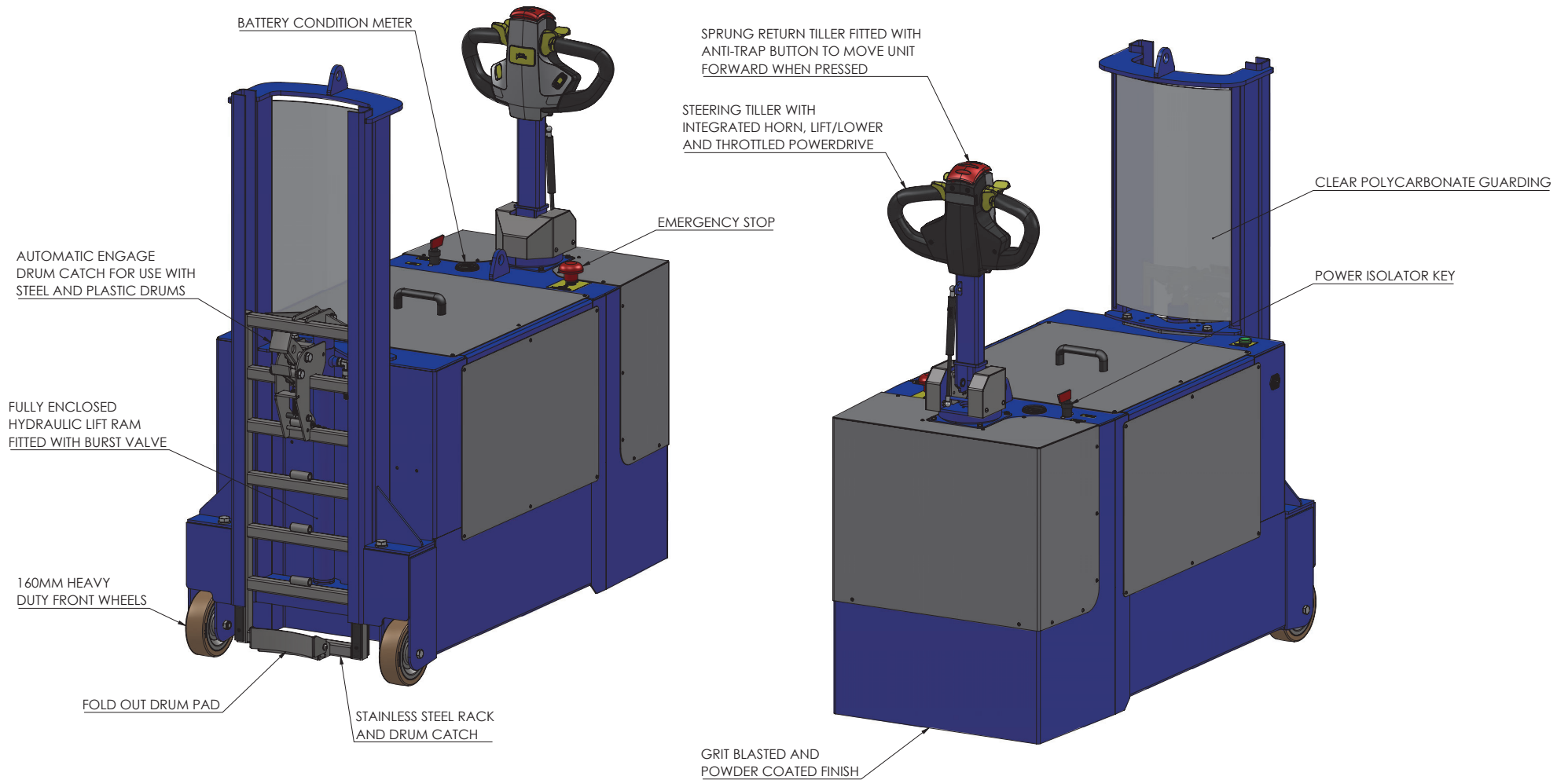


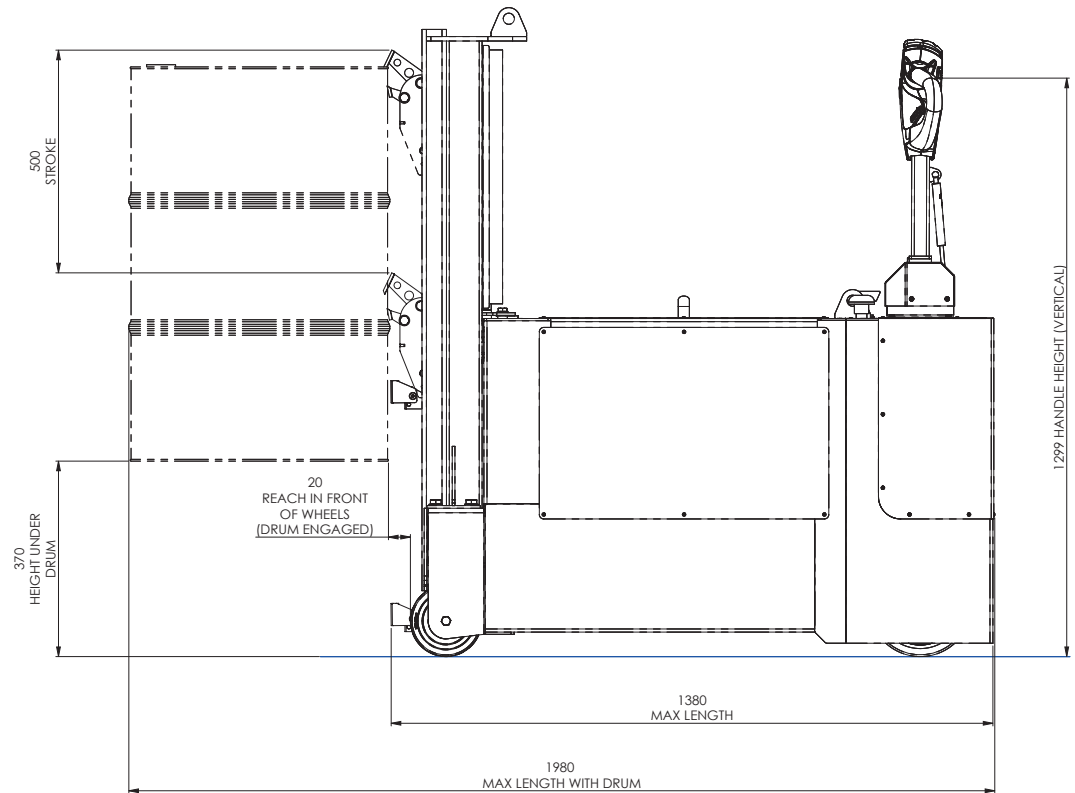
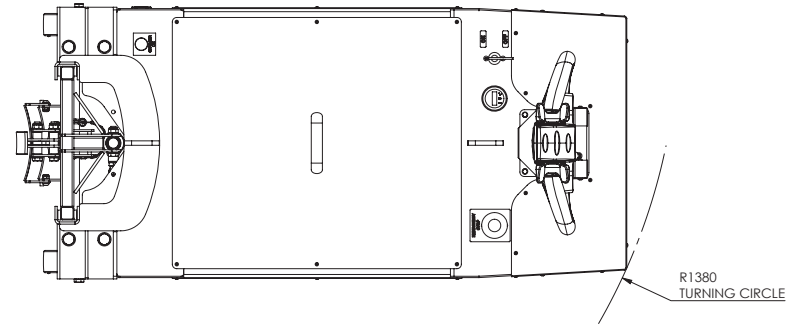
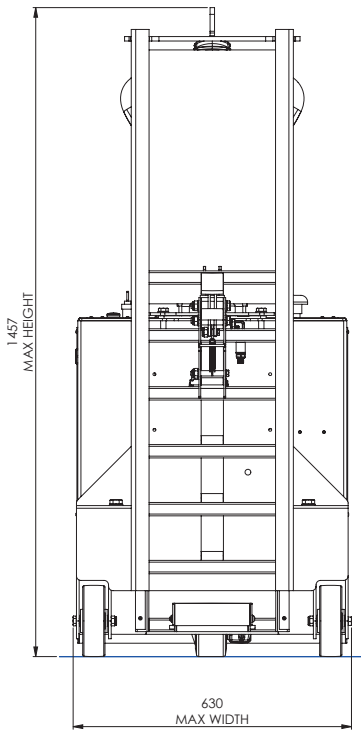



DPC01

SWL: 350KG




 THIRD ANGLE PROJECTION  RESPOCKE HANDLING EQUIPMENT LTD LEEDSTOWN, CORNWALL, T27 6DS TEL: +44 1736 85 10 50 FAX: +44 1736 85 10 23 E-MAIL: SALES@STS-TROLLEYS.CO.UK WWW: HTTPS://WWW.STS-TROLLEYS.CO.UK	ALL DIMENSIONS IN mm U.O.S DO NOT SCALE	CUSTOMER APPROVAL: NAME: SIGNATURE: DATE:	CATEGORY: ASSEMBLY MATERIAL SPEC: FINISH: N/A DESCRIPTION: COUNTERBALANCED POWERED DRUM DEPALLETER, DPC01	SHEET NO: 1 OF 2 EST MASS: 546.65kg SHEET SIZE: A3 PART NUMBER: 014964	DRAWN BY: JS CHECKED BY: DATE CHK: REVISION: A-01
	<small>THIS DOCUMENT AND ALL THE INFORMATION CONTAINED HEREIN ARE CONFIDENTIAL AND EXCLUSIVE PROPERTY OF ITS RESPOCKE HANDLING EQUIPMENT AND MAY NOT BE REPRODUCED, USED, DISCLOSED OR MADE PUBLIC IN ANY MANNER PRIOR TO EXPRESS WRITTEN AUTHORIZATION BY ITS RESPOCKE HANDLING EQUIPMENT. MANUFACTURER AGREES THAT ARTICLES MADE IN ACCORDANCE WITH THIS DOCUMENT SHALL BE CONSIDERED ITS RESPOCKE HANDLING EQUIPMENT DESIGN AND THAT ORIGINAL ARTICLES OR PARTS THEREOF SHALL NOT BE MANUFACTURED FOR THE USE OR SALE BY THE MANUFACTURER OR ANY OTHER PERSON OR ENTITY WITHOUT PRIOR EXPRESS WRITTEN AUTHORIZATION BY ITS RESPOCKE HANDLING EQUIPMENT.</small>				





 ALL DIMENSIONS
 IN mm U.O.S
 DO NOT SCALE



RESPICE HANDLING EQUIPMENT LTD
 LEEDSTOWN, CORNWALL, TR27 6DS
 TEL: +44 1736 85 10 50 FAX: +44 1736 85 10 23
 E-MAIL: SALES@STS-TROLLEYS.CO.UK
 WWW: HTTPS://WWW.STS-TROLLEYS.CO.UK

CUSTOMER APPROVAL:

NAME:

SIGNATURE:

DATE:

THIS DOCUMENT AND ALL THE INFORMATION CONTAINED HEREIN ARE CONFIDENTIAL AND EXCLUSIVE PROPERTY OF STS RESPICE HANDLING EQUIPMENT AND MAY NOT BE REPRODUCED, USED, DISCLOSED OR MADE PUBLIC IN ANY MANNER PRIOR TO STS RESPICE WRITTEN AUTHORIZATION BY STS RESPICE HANDLING EQUIPMENT. THIS DOCUMENT IS ACCEPTED PURSUANT TO AGREEMENT TO THE FOREGOING, AND MUST BE RETURNED OR DESTROYED UPON REQUEST.

MANUFACTURER AGREES THAT ARTICLES MADE IN ACCORDANCE WITH THIS DOCUMENT SHALL BE CONSIDERED STS RESPICE HANDLING EQUIPMENT DESIGN AND THAT ORIGINAL ARTICLES OR PARTS THEREOF SHALL NOT BE MANUFACTURED FOR THE USE OR SALE BY THE MANUFACTURER OR ANY OTHER PERSON OR ENTITY WITHOUT PRIOR EXPRESS WRITTEN AUTHORIZATION BY STS RESPICE HANDLING EQUIPMENT.

CATEGORY: ASSEMBLY

MATERIAL SPEC:

FINISH: N/A

DESCRIPTION: COUNTERBALANCED POWERED DRUM DEPALLETER, DPC01

SHEET NO: 2 OF 2

EST MASS: 546.65kg

SHEET SIZE: A3

PART NUMBER: 014964

DRAWN BY: JS

CHECKED BY:

DATE CHK:

REVISION: A-01