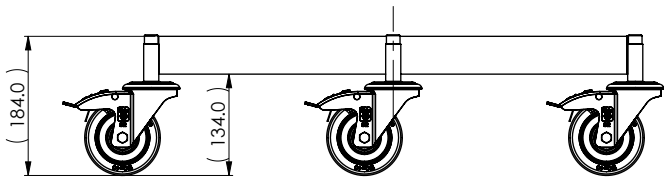
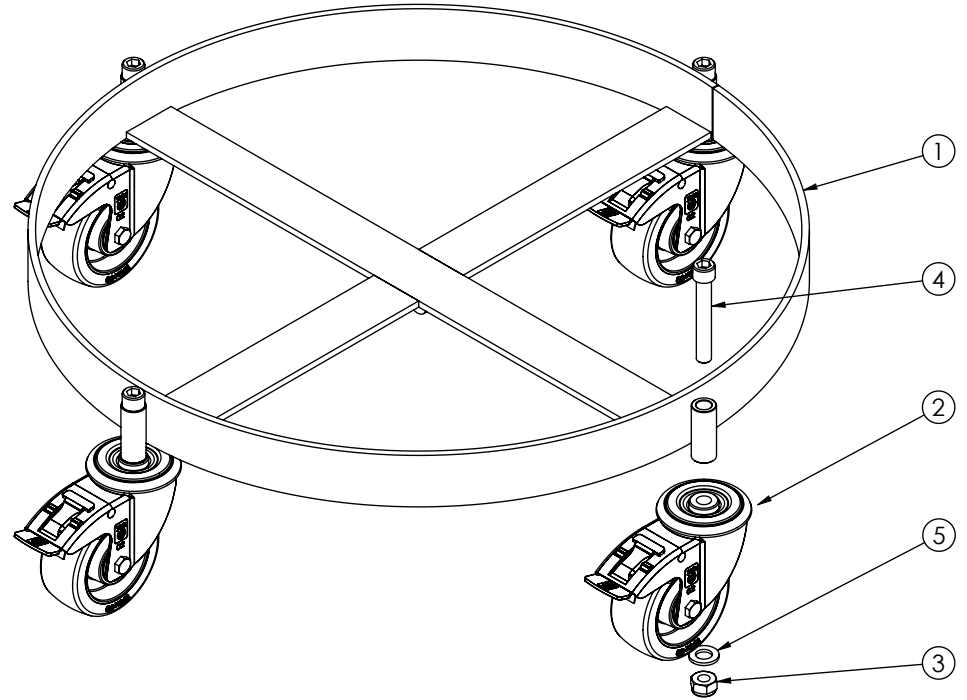
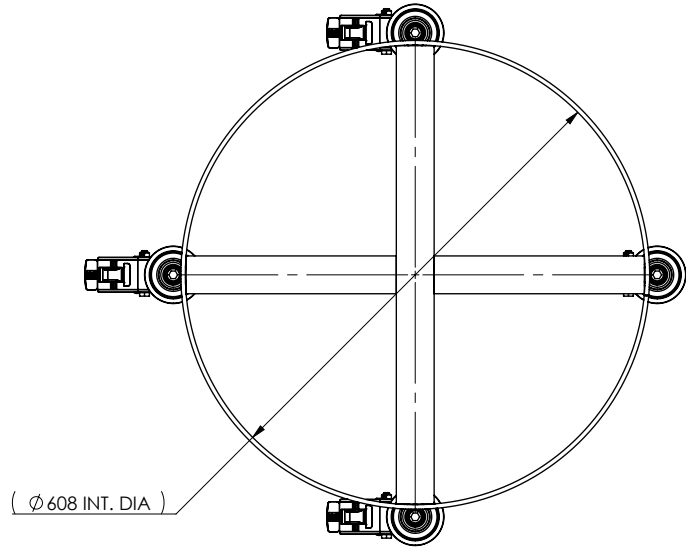


ITEM	STS PART	DESCRIPTION	QTY.
1	015826	WELDED BODY, F/ DRUM DOLLY, WELDMNT, MILD STEEL	1
2	012313	100MM BRAKED STEEL CENTRE BOLT SWIVEL CASTOR WITH PU/ALUMINIUM WHEEL, F/ M12, 200KG SWL, 92 SHORE A, 40MM TREAD WIDTH	4
3	001423-013	NYLOC NUT, M12, BZP	4
4	004016-264	SOCKET HEAD CAP SCREW, M12 X 80, BZP	4
5	001117-028	WASHER, F/ M12, BZP	4



	A		FIRST RELEASE	04/10/2018	JC
ZONE	REV.	ECN	DESCRIPTION	DATE	APPROVED
REVISIONS					

<p>THIRD ANGLE PROJECTION</p>	<p>ALL DIMENSIONS IN mm U.O.S</p> <p>DO NOT SCALE</p>	<p>UNLESS OTHERWISE SPECIFIED THE FOLLOWING APPLY: FABRICATED COMPONENTS DIMENSIONAL PRECISION</p> <table border="1"> <thead> <tr> <th>DECIMAL</th> <th>METRIC</th> <th>IMPERIAL</th> <th>ANGLE</th> <th>SIZE</th> </tr> </thead> <tbody> <tr> <td>0.</td> <td>±1.20mm</td> <td>±0.05"</td> <td>±0.50°</td> <td>SIZE ≤ 1000MM</td> </tr> <tr> <td>0.0</td> <td>±0.80mm</td> <td>±0.03"</td> <td>±0.25°</td> <td>SIZE ≤ 1000MM</td> </tr> <tr> <td>0.</td> <td>±2.5mm</td> <td>±0.10"</td> <td>±0.50°</td> <td>SIZE > 1000MM</td> </tr> <tr> <td>0.0</td> <td>±1.5mm</td> <td>±0.06"</td> <td>±0.25°</td> <td>SIZE > 1000MM</td> </tr> </tbody> </table> <p>STANDARD SURFACE FINISH RA 63MM [RA 250MIN] BREAK ALL SHARP CORNERS AND EDGES, R 0.3mm MAX</p>	DECIMAL	METRIC	IMPERIAL	ANGLE	SIZE	0.	±1.20mm	±0.05"	±0.50°	SIZE ≤ 1000MM	0.0	±0.80mm	±0.03"	±0.25°	SIZE ≤ 1000MM	0.	±2.5mm	±0.10"	±0.50°	SIZE > 1000MM	0.0	±1.5mm	±0.06"	±0.25°	SIZE > 1000MM	<p>CATEGORY: ASSEMBLY</p> <p>MATERIAL SPEC: N/A</p> <p>FINISH: N/A</p> <p>DESCRIPTION: DDL01, DRUM DOLLY, ASSEMBLY, MILD STEEL</p>	<p>SHEET NO: 1 OF 1</p> <p>EST MASS: 8.04kg</p> <p>SHEET SIZE: A4</p> <p>PART NUMBER: 015831</p>	<p>DRAWN BY: GB</p> <p>CHECKED BY: JC</p> <p>DATE CHK: 28/07/2020</p> <p>REVISION: A</p>
	DECIMAL	METRIC	IMPERIAL	ANGLE	SIZE																									
	0.	±1.20mm	±0.05"	±0.50°	SIZE ≤ 1000MM																									
	0.0	±0.80mm	±0.03"	±0.25°	SIZE ≤ 1000MM																									
0.	±2.5mm	±0.10"	±0.50°	SIZE > 1000MM																										
0.0	±1.5mm	±0.06"	±0.25°	SIZE > 1000MM																										
<p>THIS DOCUMENT AND ALL THE INFORMATION CONTAINED HEREIN ARE CONFIDENTIAL AND EXCLUSIVE PROPERTY OF STS BESPOKE HANDLING EQUIPMENT AND MAY NOT BE REPRODUCED, USED, DISCLOSED OR MADE PUBLIC IN ANY MANNER PRIOR TO EXPRESS WRITTEN AUTHORISATION BY STS BESPOKE HANDLING EQUIPMENT.</p> <p>THIS DOCUMENT IS ACCEPTED PURSUANT TO AGREEMENT TO THE FOREGOING, AND MUST BE RETURNED OR DESTROYED UPON DEMAND.</p> <p>MANUFACTURER AGREES THAT ARTICLES MADE IN ACCORDANCE WITH THIS DOCUMENT SHALL BE CONSIDERED STS BESPOKE HANDLING EQUIPMENT'S DESIGN AND THAT IDENTICAL ARTICLES OR PARTS THEREOF SHALL NOT BE MANUFACTURED FOR THE USE OR SALE BY THE MANUFACTURER OR ANY OTHER PERSON OR ENTITY WITHOUT PRIOR EXPRESS WRITTEN AUTHORISATION BY STS BESPOKE HANDLING EQUIPMENT.</p>																														
<p>REVISION: 01 AUTHOR: JC AUTHORISER: NV 6 PRINTED ON: 02/09/2020</p>																														

STS
 BESPOKE HANDLING EQUIPMENT LTD
 LEEDSTOWN, CORNWALL TR27 6DS
 TEL: +44 1736 85 10 50 FAX: +44 1736 85 10 23
 E-MAIL: SALES@STS-TROLLEYS.CO.UK
 WWW: HTTPS://WWW.STS-TROLLEYS.CO.UK