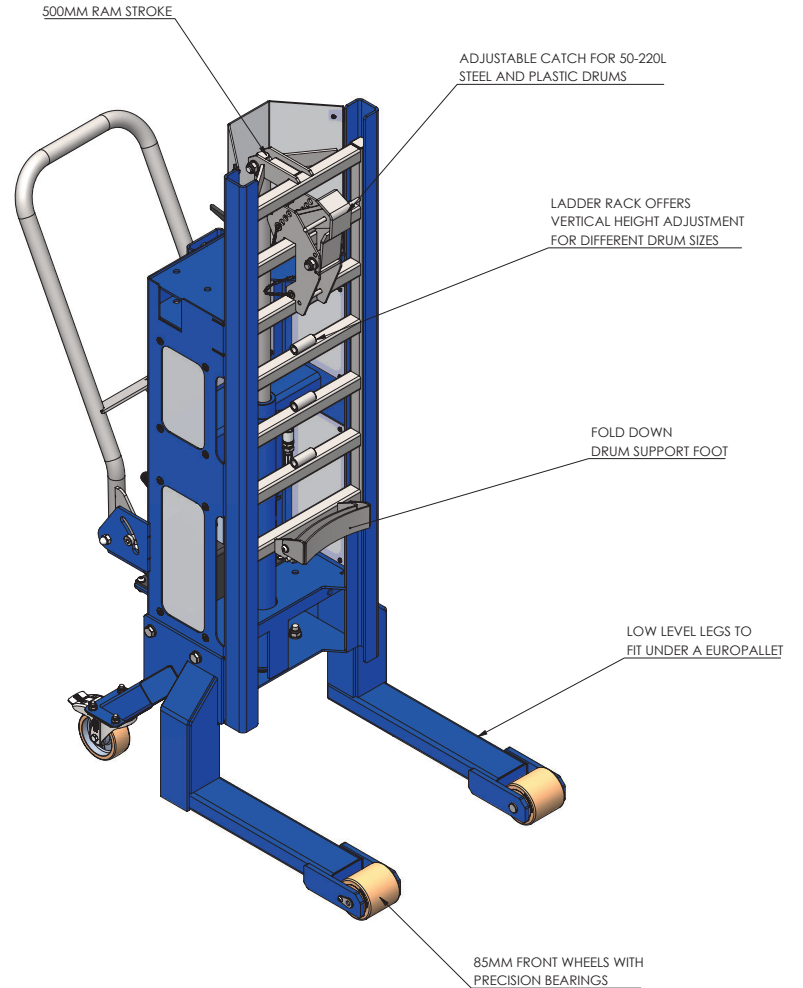
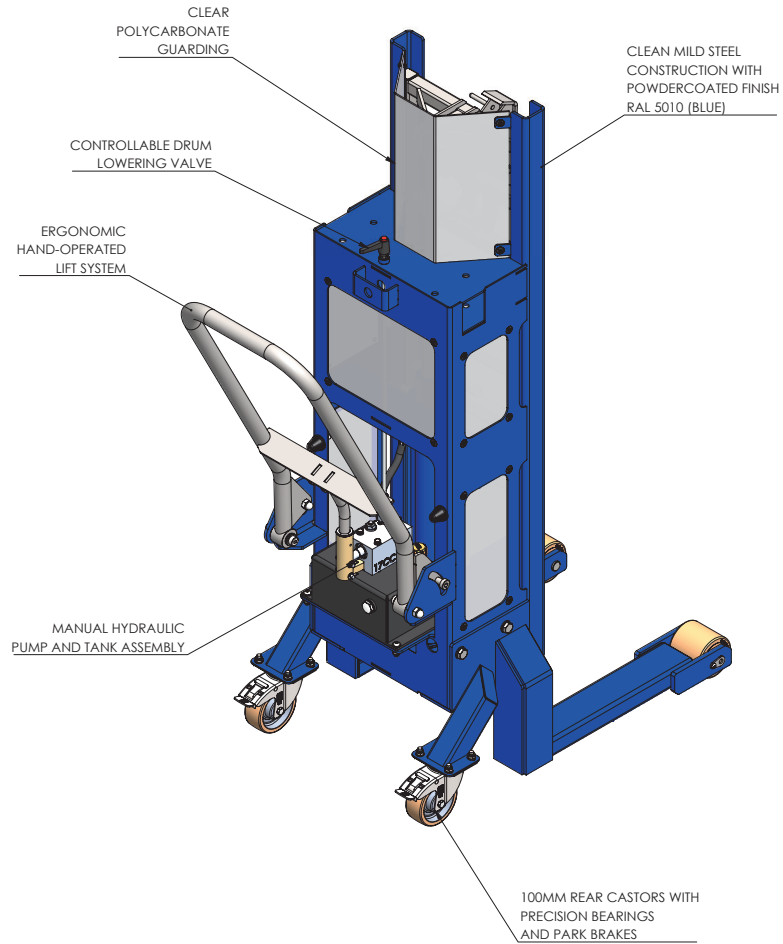




# DTP06-R500-LLL-EU

**SWL - 350kg**

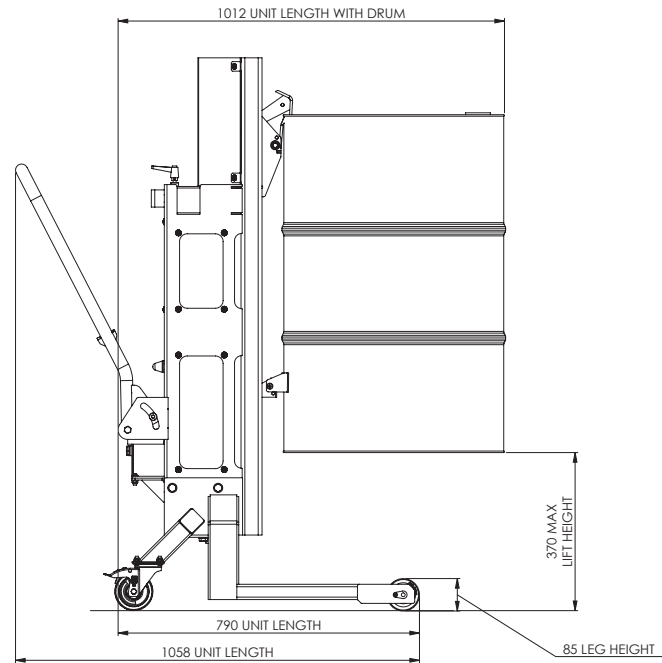
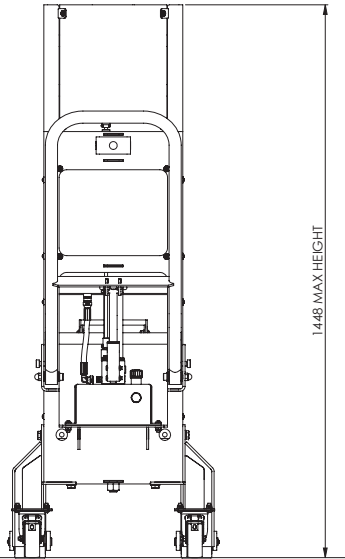
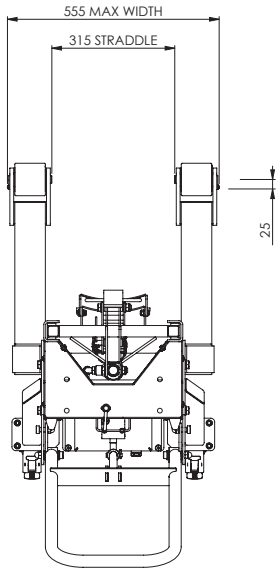


Drum Range: 50L - 220L  
Minimum Lift Clearance: 370mm

|  |  |                    |  |                     |                      |
|--|--|--------------------|--|---------------------|----------------------|
| <br>THIRD ANGLE<br>PROJECTION   | ALL DIMENSIONS<br>IN mm U.O.S  | CUSTOMER APPROVAL: | CATEGORY: ASSEMBLY   | SHEET NO: 1 OF 3    | DRAWN BY: JC         |
|  | DO NOT SCALE   | NAME: .....        | MATERIAL SPEC:   | EST MASS: 94.98kg   | CHECKED BY: JC       |
| <br>RESPICKLE HANDLING EQUIPMENT LTD<br>LEEDSTOWN, CORNWALL, TR27 6DS<br>TEL: +44 1736 85 10 50 FAX: +44 1736 85 10 23<br>E-MAIL: SALES@STS-TROLLEYS.CO.UK<br>WWW: HTTPS://WWW.STS-TROLLEYS.CO.UK | DATE: .....  | DATE: .....        | FINISH: N/A  | SHEET SIZE: A3      | DATE CHK: 26/05/2020 |
|  | <small>THIS DOCUMENT AND ALL THE INFORMATION CONTAINED HEREIN ARE CONFIDENTIAL AND EXCLUSIVE PROPERTY OF STS RESPICKLE HANDLING EQUIPMENT AND MAY NOT BE REPRODUCED, USED, DISCLOSED OR MADE PUBLIC IN ANY MANNER PRIOR TO EXPRESS WRITTEN AUTHORIZATION BY STS RESPICKLE HANDLING EQUIPMENT. THIS DOCUMENT IS ACCEPTED PURSUANT TO AGREEMENT TO THE FOREGOING, AND MADE BE RETURNED OR DESTROYED UPON DEMAND.</small> |                    | DESCRIPTION: DTP06-R500-LLL-EU, DEPALLETISER ASSEMBLY, F/ EUROPALET, 500MM RAM | PART NUMBER: 016594 | REVISION: A          |
|  | <small>MANUFACTURER AGREES THAT ARTICLES MADE IN ACCORDANCE WITH THIS DOCUMENT SHALL BE CONSIDERED STS RESPICKLE HANDLING EQUIPMENT DESIGN AND THAT ORIGINAL ARTICLES OR PARTS THEREOF SHALL NOT BE MANUFACTURED FOR THE USE OR SALE BY THE MANUFACTURER OR ANY OTHER PERSON OR ENTITY WITHOUT PRIOR EXPRESS WRITTEN AUTHORIZATION BY STS RESPICKLE HANDLING EQUIPMENT.</small>  |                    |  |                     |                      |

# DTP06-R500-LLL-EU

**SWL - 350kg**




**THIRD ANGLE PROJECTION**  
**ALL DIMENSIONS IN mm U.O.S**  
**DO NOT SCALE**

UNLESS OTHERWISE SPECIFIED THE FOLLOWING APPLY:  
 FABRICATED COMPONENTS DIMENSIONAL PRECISION

| DECIMAL | METRIC  | IMPERIAL | ANGLE  | SIZE          |
|---------|---------|----------|--------|---------------|
| 0.1     | ±0.20mm | ±0.005"  | ±0.50° | SIZE ≤ 1000MM |
| 0.0     | ±0.80mm | ±0.03"   | ±0.25° | SIZE ≤ 1000MM |
| 0.0     | ±2.5mm  | ±0.10"   | ±0.50° | SIZE > 1000MM |
| 0.0     | ±1.5mm  | ±0.06"   | ±0.25° | SIZE > 1000MM |

STANDARD SURFACE FINISH RA 6.3MM (RA 250MICR)  
 BREAK ALL SHARP CORNERS AND EDGES: R 0.20MM MAX

THIS DOCUMENT AND ALL THE INFORMATION CONTAINED HEREIN ARE CONFIDENTIAL AND EXCLUSIVE PROPERTY OF STS RESPONSE HANDLING EQUIPMENT LTD. ANY REPRODUCTION, DISSEMINATION, OR UNAUTHORIZED USE OF THIS DOCUMENT OR THE INFORMATION CONTAINED HEREIN IS STRICTLY PROHIBITED. STS RESPONSE HANDLING EQUIPMENT LTD. ACCEPTS NO LIABILITY FOR ANY ERRORS OR OMISSIONS IN THIS DOCUMENT. THE USER SHALL BE RESPONSIBLE FOR VERIFYING THE INFORMATION CONTAINED HEREIN IS ACCURATE AND COMPLETE. STS RESPONSE HANDLING EQUIPMENT LTD. SHALL NOT BE RESPONSIBLE FOR ANY DAMAGES, INCLUDING CONSEQUENTIAL DAMAGES, ARISING FROM THE USE OR SALE OF ANY EQUIPMENT OR PARTS THEREOF. THIS DOCUMENT IS THE PROPERTY OF STS RESPONSE HANDLING EQUIPMENT LTD. AND SHALL BE RETURNED TO STS RESPONSE HANDLING EQUIPMENT LTD. UPON REQUEST.

|                |   |
|----------------|---|
| CATEGORY:      | ASSEMBLY  |
| MATERIAL SPEC: |   |
| FINISH:        | N/A   |
| DESCRIPTION:   | DTP06-R500-LLL-EU, DEPALLETISER ASSEMBLY, F/ EUROPALET, 500MM RAM |

|              |         |             |            |
|--------------|---------|-------------|------------|
| SHEET NO:    | 2 OF 3  | DRAWN BY:   | JC         |
| EST MASS:    | 94.98kg | CHECKED BY: | JC         |
| SHEET SIZE:  | A3      | DATE CHK:   | 26/05/2020 |
| PART NUMBER: | 016594  | REVISION:   | A          |