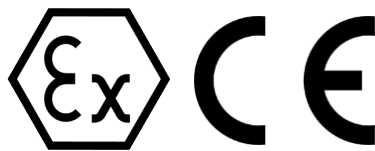


Pneumatic Lift - Universal Drum Rotator

STP01-DRU01 (Ex)



Unit options:

- ATEX compliant model;
- power rotation;
- telescopic 2500mm lift;
- power drive with tiller controls;
- load cell weigh system;
- fixed band option (200-litre steel only);
- full stainless steel.

Technical specification:

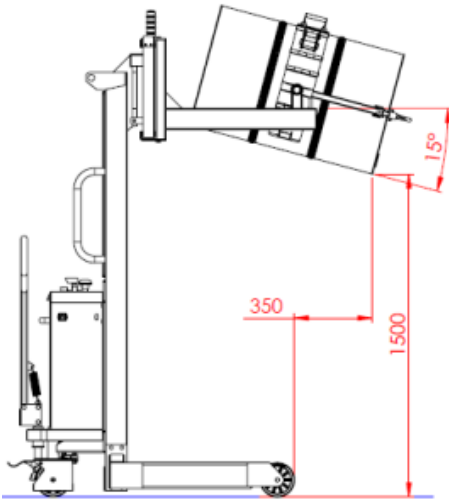
- safe working load (SWL) 350kg;
- weight 340kg;
- lift stroke 1600mm;
- lowered height 1980mm;
- length 1660mm;
- width 1080mm;
- inside leg straddle 850mm (other straddles available if required);
- turning radius 1610mm;
- clean mild steel construction;
- stainless steel DRU01 drum rotating head;
- 160mm front anti-static wheels;
- 160mm rear anti-static castor wheels with parking brakes;
- twin earthing chains (ATEX optional);
- mild steel shot blast, zinc-enriched primer and polyester powder coat RAL5010 applied;
- pneumatic hydraulic lift;
- manual gearbox rotation;
- for use on smooth level floors;
- complies with EC Machinery Directive 2006/42/EC;
- CE marked.

The STP01-DRU01 is a pneumatically powered hydraulic Lift unit with a manually operated drum rotating head designed to lift and rotate 50- to 220-litre drums (350-610mm diameter). The STP01-DRU01 is very versatile, strong and easy to use. If you require a unit for a hazardous area please consider our STP01-DRU01-Ex ATEX Certificated to ATEX Directive 2014/34/EU.

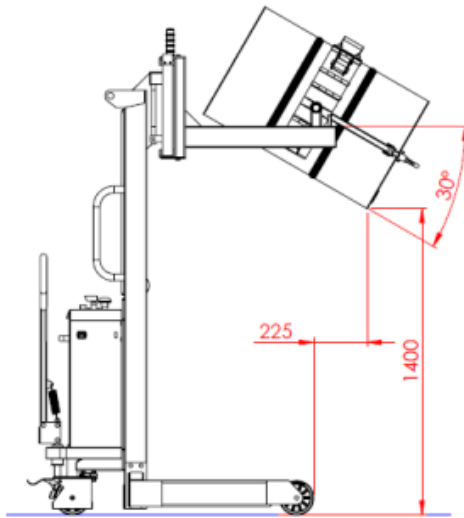


Bespoke Handling Equipment

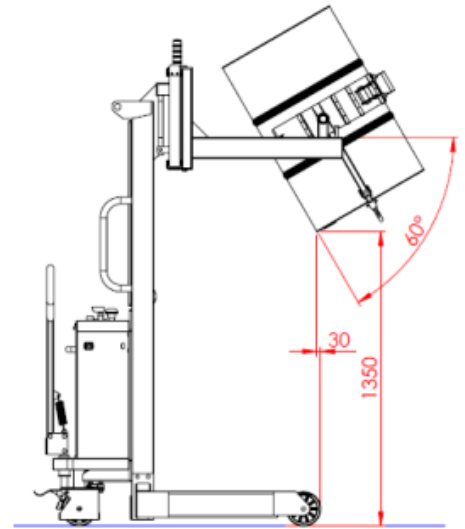
15° TIP



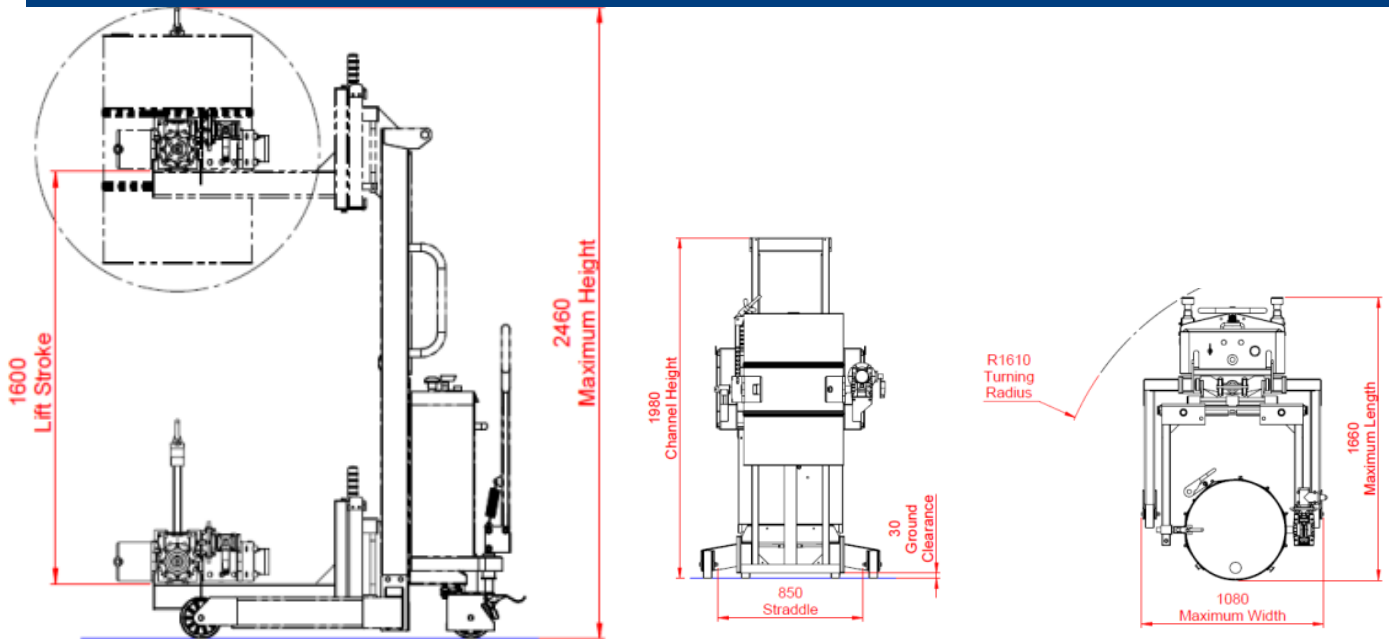
30° TIP



60° TIP



Above are the tipping heights for the STE01-DRU01 at 15°, 30° and 60° when used in conjunction with a 200-litre drum. The dimensions are to the lowest point of the drum and will vary for other types of drums.



UK
Manufacture

BESPOKE HANDLING EQUIPMENT LTD (T.A. STS)
Praze Rd Leedstown, Hayle, Cornwall, TR27 6DS
Tel: 01736 851050 Fax: 01736 851023
Website: www.sts-trolleys.co.uk
Email: sales@sts-trolleys.co.uk

