

End-over-End 200-Litre Drum Mixer

DME01 or DMP01-EX



DME01 - Electric model (non-ATEX)

Technical specification:

- safe working load (SWL) 350kg;
- for use with 200 litre steel & plastic drums (adaptors available for other types of drum);
- can handle drums from **830mm to 930mm** in height (adaptors available);
- clean mild steel construction;
- fully compliant mesh guarding;
- mild steel shot blasted, zinc-enriched primer and polyester powder coat RAL5010 applied;
- 160mm front wheels;
- 160mm rear castor wheels with parking brakes;
- rear jacking feet for static use;
- variable mixing speed (2-7 RPM);
- mixing timer and controls;
- vertical position auto-docking function;
- gate doors fitted with safety interlock;
- complies with EC Machinery Directive 2006/42/EC;
- CE marked;
- test certificate supplied;
- small drum adapter available for drums from **200-700mm** in height.

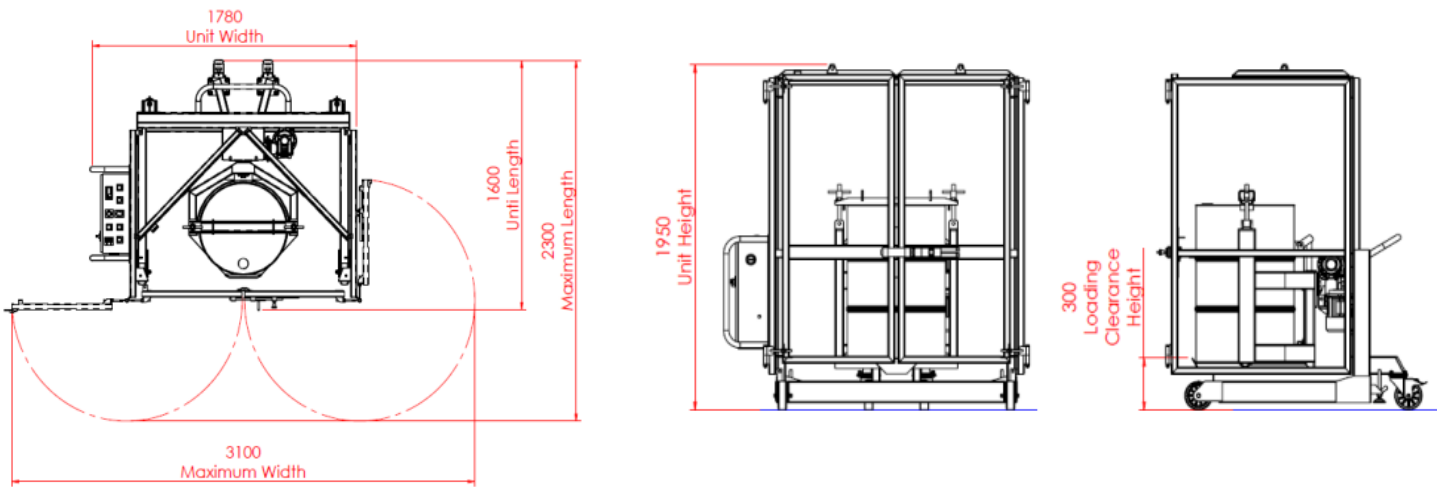
DMP01-Ex - Pneumatic model (ATEX)

Additional technical specification:

- pneumatic-hydraulic powered gearbox rotation;
- jog function for easy alignment;
- air requirement – between 4 and 7 Bar at 400 litres per minute;
- complies with ATEX Directive ATEX Directive 2014/34/EU.

The **DMP01-Ex** is a pneumatically powered unit designed to mix 200-litre drums. The DMP01-Ex is an ATEX certified unit for use in zoned hazardous areas.

The **DME01** is an electrically powered unit designed to mix 200-litre drums. It is a mobile unit with jacking feet for enhanced static stability. The advantage of this unit is that unlike conventional drum mixers the DME01 utilises an end-over-end mixing cycle rather than rolling the drum to provide a superior mix. The DME01 is not ATEX compliant.



The drum mixer is designed to interface with our DTP04 to provide a safe and easy way to load and unload the drum mixer. The image below shows the easiest way to load the DME01 which is using our DTP04 Side-Shift Drum Depalletiser.



UK
Manufacture

BESPOKE HANDLING EQUIPMENT LTD (T.A. STS)
 Praze Rd Leedstown, Hayle, Cornwall, TR27 6DS
 Tel: +44 (0)1736 851050
 Fax: +44 (0)1736 851023
 Website: www.sts-trolleys.co.uk
 Email: sales@sts-trolleys.co.uk

