

# DTP08-250kg

**SWL - 250kg**

Customer Drawing Approval

Name : .....

Signature: .....

Date : .....

Clean Mild Steel Construction

Manual Hydraulic Hand Lift Pump

Clear Polycarbonate Guarding

Zinc Primer with Powdercoated Finish

2x Outrigger Castors for Stability

Tiller Handle with Spring dampening

Rear Parking Brake

Single Wheel Rear Steering for Maximum Maneuverability

160mm Polyurethane Wheels

FINISH:

MATERIAL:

DEBURR AND BREAK SHARP EDGES

UNLESS OTHERWISE SPECIFIED, DIMENSIONS ARE IN MILLIMETRES	TOLERANCE LINEAR:	0.0	+/-0.5
	TOLERANCE ANGULAR:	0.0	+/-0.1

THIRD ANGLE PROJECTION SCALE: 1:16

DO NOT SCALE DRAWING

	NAME	DATE
DRAWN	JW	23/03/2014
CHK'D	-	-
APP'VD	-	-

TITLE:  
Unit Specification - DTP08-250kg Counterbalance Depalletiser DTP08

CUSTOMER:

JOB NO.	REVISION
DWG NO. 005994-5	A-05

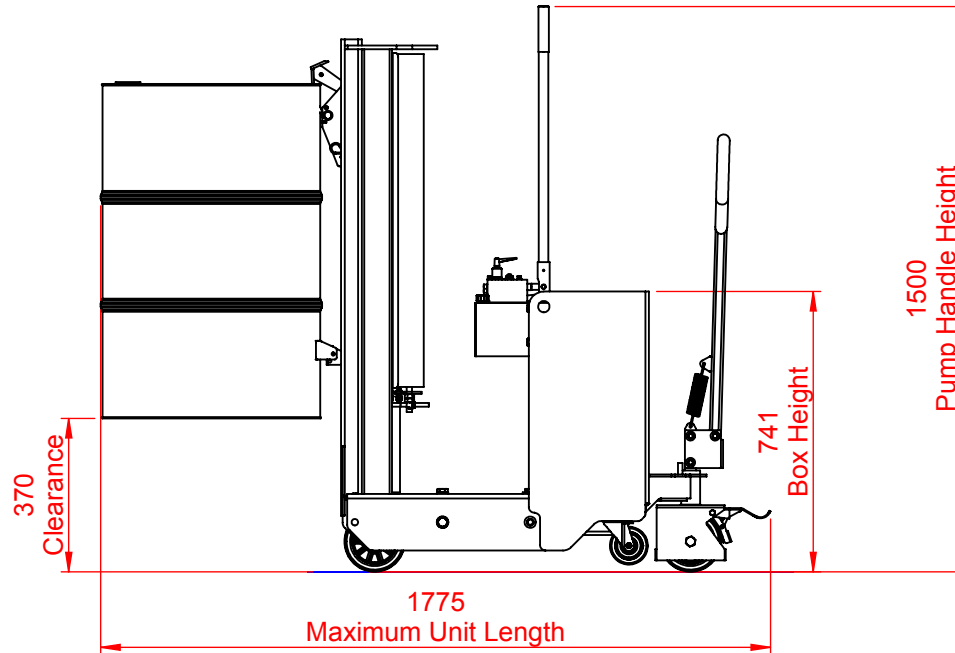
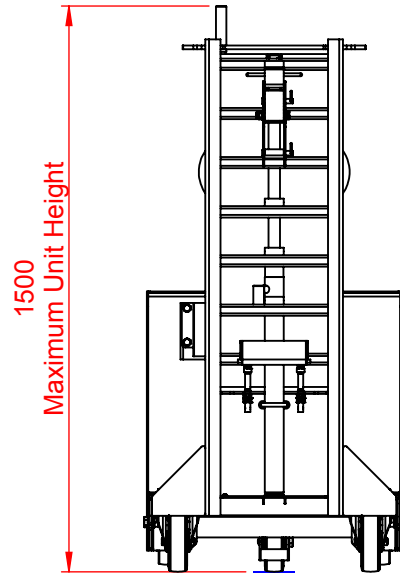
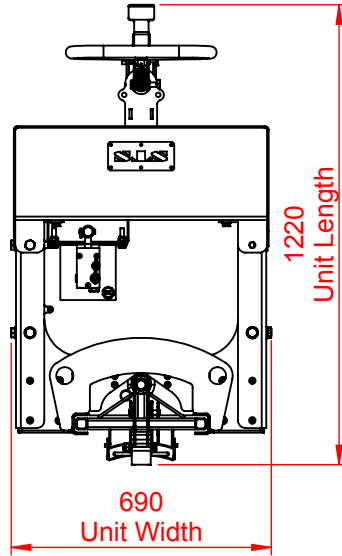
**STS** SHEET 5 OF 11  
A4

Bespoke Handling Equipment Ltd.  
LEEDSTOWN, CORNWALL, TR27 6DS  
TEL: 01736 851050 FAX: 01736 851023  
EMAIL: sales@sts-trolleys.co.uk  
WEB: www.sts-trolleys.co.uk

PROPRIETARY AND CONFIDENTIAL  
THE INFORMATION CONTAINED IN THIS DRAWING IS FOR THE SOLE PROPERTY OF BESPOKE HANDLING EQUIPMENT LTD. ANY REPRODUCTION IN PART OR AS A WHOLE WITHOUT THE WRITTEN PERMISSION OF BESPOKE HANDLING EQUIPMENT IS PROHIBITED.

# DTP08-250kg

**SWL - 250kg**



Customer Drawing Approval

Name : .....

Signature: .....

Date : .....

REVISIONS		
REV.	DESCRIPTION	DATE

FINISH:

MATERIAL:

DEBURR AND BREAK SHARP EDGES

UNLESS OTHERWISE SPECIFIED, DIMENSIONS ARE IN MILLIMETERS	TOLERANCE LINEAR:	0.0	+/-0.5
		0.0	+/-0.1
	TOLERANCE ANGULAR:	0.0	+/-0.5

THIRD ANGLE PROJECTION

SCALE: 1:10  
DO NOT SCALE DRAWING

	NAME	DATE
DRAWN	JW	23/03/2014
CHK'D	-	-
APP'VD	-	-

TITLE:  
General Arrangement-  
DTP08-250kg  
Counterbalance  
Depalletiser  
DTP08

CUSTOMER:

JOB NO.	REVISION
DWG NO. 005994-6	A-05

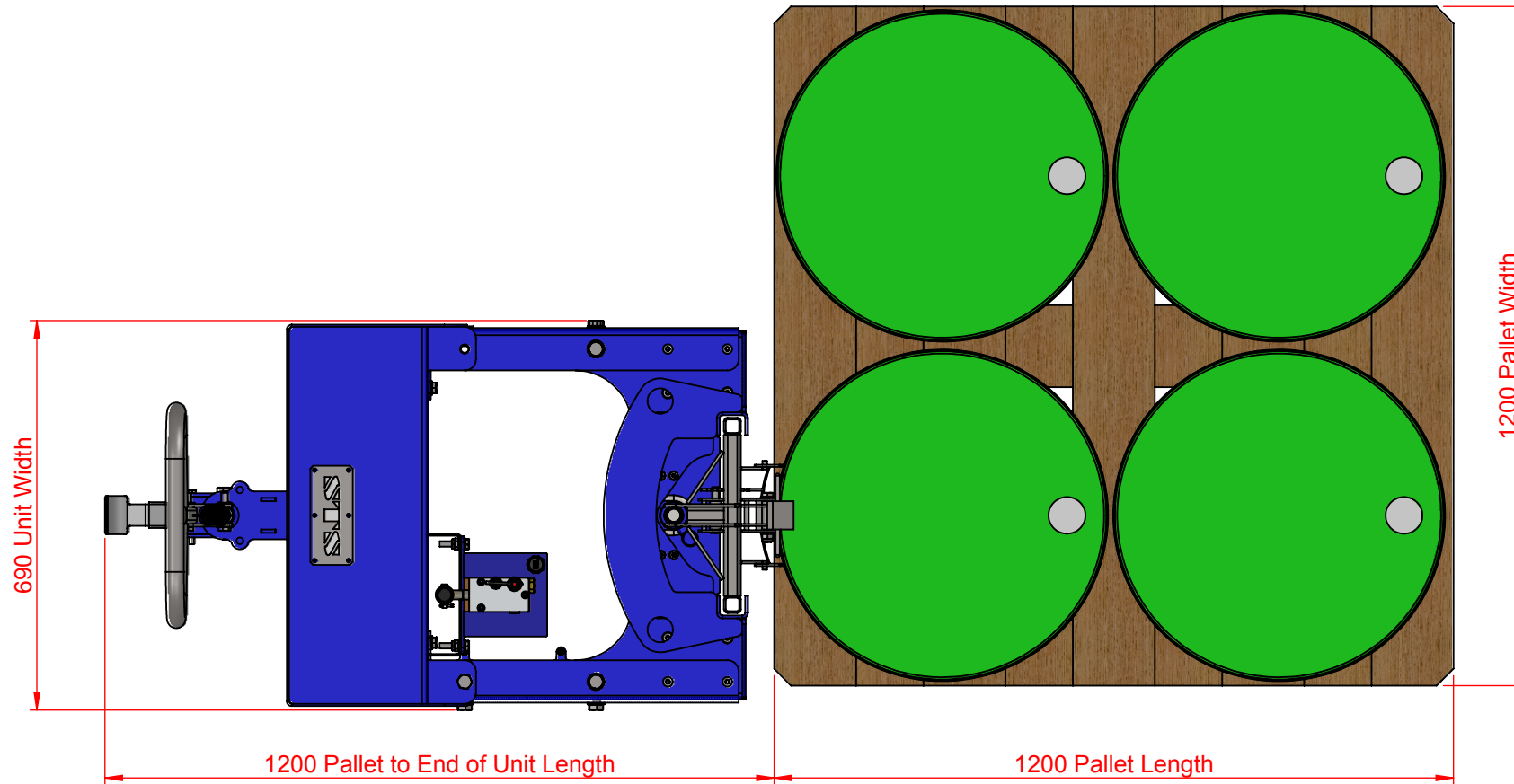
SHEET 6 OF 11  
A4

Bespoke Handling Equipment Ltd.  
LEEDSTOWN, CORNWALL, TR27 6DS  
TEL: 01736 851050 FAX: 01736 851023  
EMAIL: sales@sts-trolleys.co.uk  
WEB: www.sts-trolleys.co.uk

PROPRIETARY AND CONFIDENTIAL  
THE INFORMATION CONTAINED IN THIS DRAWING IS FOR THE SOLE PROPERTY OF BESPOKE HANDLING EQUIPMENT LTD. ANY REPRODUCTION IN PART OR AS A WHOLE WITHOUT THE WRITTEN PERMISSION OF BESPOKE HANDLING EQUIPMENT IS PROHIBITED.

# DTP08-250kg

**SWL - 250kg**



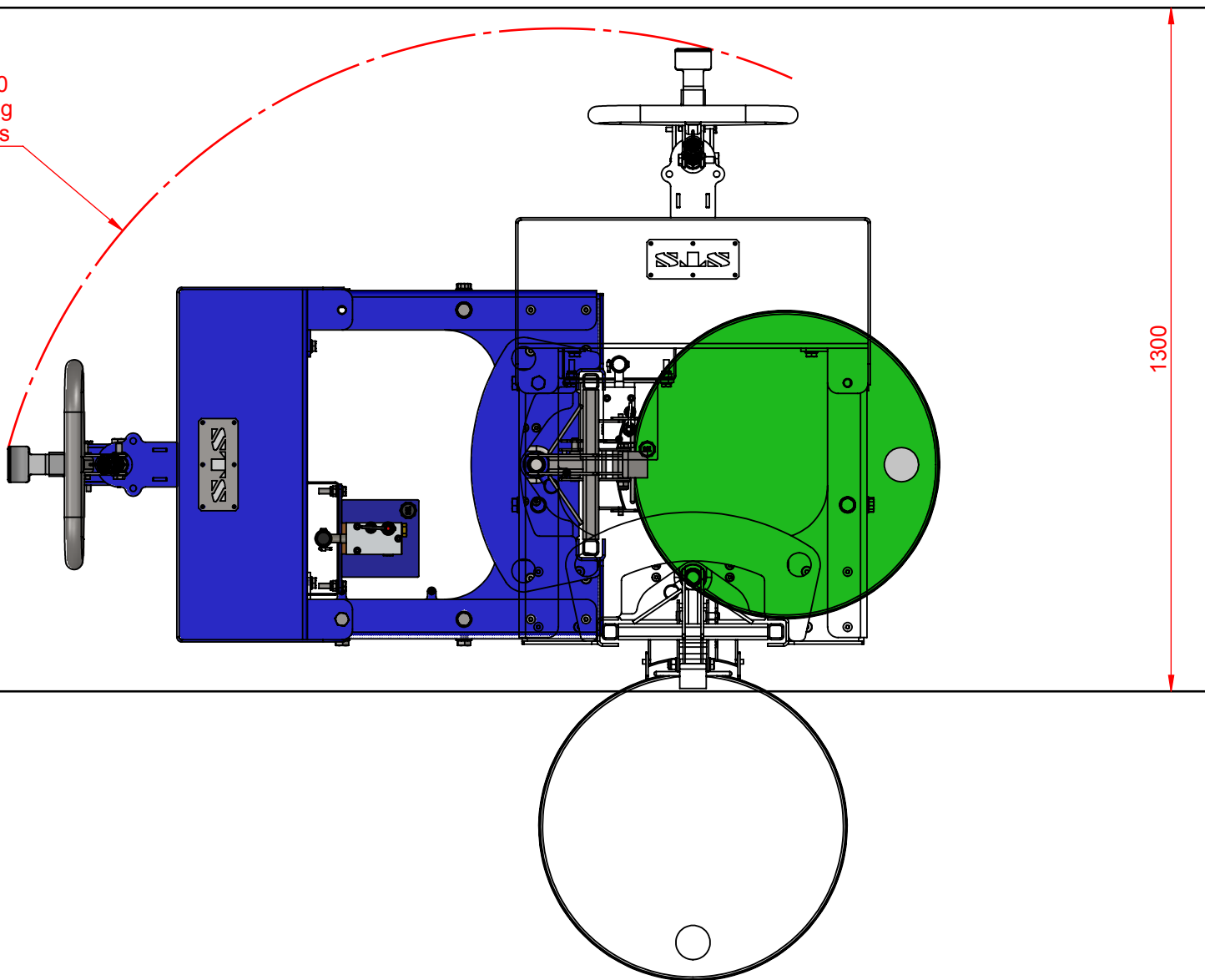
FINISH:		
MATERIAL:		
DEBURR AND BREAK SHARP EDGES		
UNLESS OTHERWISE SPECIFIED, DIMENSIONS ARE IN MILLIMETERS	TOLERANCE LINEAR:	0.0 +/0.5 0.0 +/0.1
	TOLERANCE ANGULAR:	0.0 +/0.5
THIRD ANGLE PROJECTION	SCALE: 1:12	
	DO NOT SCALE DRAWING	
	NAME	DATE
DRAWN	JW	23/03/2014
CHK'D	-	-
APP'VD	-	-
TITLE:		
Depalletising - DTP08-250kg Counterbalance Depalletiser DTP08		
CUSTOMER:		
JOB NO.		
DWG NO.	REVISION	
005994-7	A-05	
	SHEET 7 OF 11	
	A4	
Bespoke Handling Equipment Ltd. LEEDSTOWN, CORNWALL, TR27 6DS TEL: 01736 851050 FAX: 01736 851023 EMAIL: sales@sts-trolleys.co.uk WEB: www.sts-trolleys.co.uk		
<small>PROPRIETARY AND CONFIDENTIAL THE INFORMATION CONTAINED IN THIS DRAWING IS FOR THE SOLE PROPERTY OF BESPOKE HANDLING EQUIPMENT LTD. ANY REPRODUCTION IN PART OR AS A WHOLE WITHOUT THE WRITTEN PERMISSION OF BESPOKE HANDLING EQUIPMENT IS PROHIBITED.</small>		

# DTP08-250kg

**SWL - 250kg**

R1100  
Turning  
Radius

1300



FINISH:

MATERIAL:

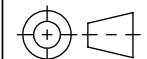
DEBURR AND BREAK SHARP EDGES

UNLESS OTHERWISE SPECIFIED, DIMENSIONS ARE IN MILLIMETERS

TOLERANCE LINEAR: 0. +/0.5  
0.0 +/0.1

TOLERANCE ANGULAR: 0. +/0.5

THIRD ANGLE PROJECTION



SCALE: 1:12

DO NOT SCALE  
DRAWING

	NAME	DATE
DRAWN	JW	23/03/2014
CHK'D	-	-
APP'VD	-	-

TITLE:

Turning Circle -  
DTP08-250kg  
Counterbalance  
Depalletiser  
DTP08

CUSTOMER:

JOB NO.

DWG NO.	REVISION
005994-8	A-05

SHEET 8 OF 11
A4

Bespoke Handling Equipment Ltd.  
LEEDSTOWN, CORNWALL, TR27 6DS  
TEL: 01736 851050 FAX: 01736 851023  
EMAIL: sales@sts-trolleys.co.uk  
WEB: www.sts-trolleys.co.uk

PROPRIETY AND CONFIDENTIAL  
THE INFORMATION CONTAINED IN THIS DRAWING IS  
FOR THE SOLE PROPERTY OF BESPOKE HANDLING  
EQUIPMENT LTD. ANY REPRODUCTION IN PART OR AS  
A WHOLE WITHOUT THE WRITTEN PERMISSION OF  
BESPOKE HANDLING EQUIPMENT IS PROHIBITED.